



Phase 3 - Technical Specifications - Final Report

Document information

Project Title	Enhanced Surface Safety Nets
Project Number	12.03.02
Project Manager	Thales
Deliverable Name	Phase 3 - Technical Specifications - Final Report
Deliverable ID	D64
Edition	00.02.00
Template Version	03.00.00

Task contributors

Leonardo, DFS, DSNA, Indra, NATMIG, Thales

Abstract

The document describes the Final Technical Requirements (functional and non-functional) of project 12.03.02 which guided the development and implementation of prototypes for a Surface Safety Nets Server. Such System Requirements are derived from the Operational Requirements collected by OFA 01.02.01 the specification of previous R&D projects and from SESAR project 06.07.01.

Authoring & Approval

Prepared By - <i>Authors of the document.</i>		
Name & Company	Position & Title	Date
██████████ Leonardo	██████████	08/06/2016

Reviewed By - <i>Reviewers internal to the project.</i>		
Name & Company	Position & Title	Date
██████████ NATMIG	██████████	13/06/2016
██████████ DFS		13/06/2016
██████████ Indra		22/06/2016
██████████ Thales		07/07/2016
██████████ DSNA		07/07/2016

Reviewed By - <i>Other SESAR projects, Airspace Users, staff association, military, Industrial Support, other organisations.</i>		
Name & Company	Position & Title	Date
██████████ DSNA	██████████	07/07/2016
██████████ EUROCONTROL		07/07/2016
██████████ Thales		07/07/2016
██████████ Leonardo		05/07/2016
██████████ Indra		07/07/2016
██████████ Indra		01/07/2016
██████████ Airbus		07/07/2016
██████████ Leonardo		07/07/2016

Approved for submission to the SJU By - <i>Representatives of the company involved in the project.</i>		
Name & Company	Position & Title	Date
██████████ Leonardo	██████████	16/09/2016
██████████ Thales		16/09/2016
██████████ Indra		16/09/2016
██████████ DSNA		16/09/2016
██████████ NATMIG		16/09/2016
██████████ DFS		16/09/2016

Rejected By - <i>Representatives of the company involved in the project.</i>		
Name & Company	Position & Title	Date

Rational for rejection
None.

Document History

Edition	Date	Status	Author	Justification
00.00.01	20/05/2016	Draft	██████████	New Document
00.00.02	08/06/2016	Draft	██████████	Second version with updated

founding members



Avenue de Cortenbergh 100 | B -1000 Bruxelles
www.sesarju.eu

				sections 3 and 4
00.00.03	14/06/2016	Draft		Third draft version after internal review.
00.00.04	27/06/2016	Draft		Final Draft for external review
00.01.00	07/07/2016	Final		Final Document
00.01.01	29/08/2016	Update		Final Document after SJU assessment
00.02.00	12/09/2016	Final		Modified rationale in several requirements to justify their status.

Intellectual Property Rights (foreground)

This deliverable consists of SJU foreground

Table of Contents

EXECUTIVE SUMMARY	6
1 INTRODUCTION	7
1.1 PURPOSE OF THE DOCUMENT.....	7
1.2 INTENDED READERSHIP.....	7
1.3 INPUTS FROM OTHER PROJECTS.....	7
1.4 STRUCTURE OF THE DOCUMENT.....	8
1.5 REQUIREMENTS DEFINITIONS – GENERAL GUIDANCE.....	8
1.5.1 <i>Requirements Properties</i>	8
1.5.2 <i>Writing Requirements</i>	9
1.6 FUNCTIONAL BLOCK PURPOSE.....	9
1.7 FUNCTIONAL BLOCK OVERVIEW.....	10
1.8 GLOSSARY OF TERMS.....	10
1.9 ACRONYMS AND TERMINOLOGY.....	11
2 GENERAL FUNCTIONAL BLOCK DESCRIPTION	13
2.1 CONTEXT.....	13
2.2 FUNCTIONAL BLOCK MODES AND STATES.....	14
2.2.1 <i>Configurability</i>	14
2.2.2 <i>Degraded Modes of Operation</i>	14
2.3 MAJOR FUNCTIONAL BLOCK CAPABILITIES.....	15
2.4 USER CHARACTERISTICS.....	15
2.5 OPERATIONAL SCENARIOS.....	15
2.5.1 <i>Runway Incursion</i>	15
2.5.2 <i>Area Intrusion</i>	16
2.5.3 <i>Conflicting ATC Clearances</i>	16
2.5.4 <i>Non-conformance to ATC Instructions</i>	18
2.5.5 <i>Non-conformance to ATC Procedures</i>	19
2.6 FUNCTIONAL.....	19
2.6.1 <i>Functional decomposition</i>	19
2.6.2 <i>Functional analysis</i>	20
2.7 SERVICE VIEW.....	22
3 FUNCTIONAL BLOCK FUNCTIONAL AND NON-FUNCTIONAL REQUIREMENTS	23
3.1 CAPABILITIES.....	23
3.1.1 <i>General Requirements</i>	23
3.1.2 <i>Runway Incursion Requirements</i>	26
3.1.3 <i>Area Intrusion</i>	31
3.1.4 <i>Conformance Monitoring Requirements</i>	33
3.1.5 <i>Conflicting ATC Clearances Requirements</i>	43
3.2 ADAPTABILITY.....	56
3.3 PERFORMANCE CHARACTERISTICS.....	56
3.4 SAFETY & SECURITY.....	60
3.5 MAINTAINABILITY.....	60
3.6 RELIABILITY.....	60
3.7 FUNCTIONAL BLOCK INTERNAL DATA REQUIREMENTS.....	60
3.8 DESIGN AND CONSTRUCTION CONSTRAINTS.....	60
3.9 FUNCTIONAL BLOCK INTERFACE REQUIREMENTS.....	60
4 ASSUMPTIONS	66
5 REFERENCES	68
5.1 USE OF COPYRIGHT / PATENT MATERIAL /CLASSIFIED MATERIAL.....	68
APPENDIX A OPERATIONAL REQUIREMENTS FOR HMI	69

List of tables

Table 1: Requirements properties	9
Table 2: P06.07.01 not considered requirements	67

List of figures

Figure 1: Interactions between P12.03.02 and other SESAR projects.....	7
Figure 2: Interaction among different A-SMGCS functional elements.....	13
Figure 3: Aerodrome ATC Domain System - Functional Breakdown	20
Figure 4: SSN interfaces.....	22

Executive summary

The document describes the Final Technical Requirements (functional and non-functional) which guided the development and implementation of Surface Safety Nets Server prototypes in the context of project 12.03.02. Such requirements were taken from:

- The current state of the art for Surface Control function, resulting from previous projects and developments.
- New functionalities studied by SESAR Project 06.07.01: “Conflicting ATC Clearances” and “Conformance Monitoring”. These functionalities have been developed during SESAR programme considering the feedback of several validation exercises using the prototypes from the previous phases of 12.03.02. The OSED and SPR from project 06.07.01 considered as inputs for this document took into account the feedback from all the validation exercises but the Release 5 ones. In fact, at the time of writing this document, both Validation Report and Operational Requirements after Release 5 validation are not yet ready.

The project 12.03.02 technically contributed to SESAR Solution #2 “Airport safety nets for controllers: conformance monitoring alerts and detection of conflicting ATC clearances”

According to ATM Master Plan Data Set 15 [18], the following system enablers, belonging to Deployment Baseline and to Step 1, were addressed by the requirements listed in the document:

- AERODROME-ATC-03 – Surface movement control workstation equipped with tools for runway incursion detection and alerting (Baseline)
- AERODROME-ATC-06 - Surface movement control workstation equipped with tools for conflicting ATC clearances detection and alerting for Runway operations (Step 1)
- AERODROME-ATC-07 - Surface movement control workstation equipped with tools for detection and alerting of non-conformance to ATC instructions or procedures for surface movements, including apron and taxiways (Step 1)

All the ATM components interacting with a Surface Safety Nets Server are identified, as well as the external conditions and inputs affecting its behaviour and its operations.

System and Performance Requirements are derived from SESAR Operational requirements, but also collected by the analysis of specifications of consolidated R&D projects such as EMMA2 [13],[14], and from ICAO standards [16], EUROCONTROL [10] and EUROCAE A-SMGCS [11] documents.

Requirements are also provided for the external interfaces and to satisfy the installation-related constraints.

A section of the document is dedicated to non-functional requirements, focused on Performance Characteristics and Interfaces.

This final version of Technical Specifications comes after the development of the prototypes based on the technical specification of Phase 3. The prototypes were part of validation exercises of SESAR Release 5.

When the verification of the requirement was successful in the frame of the SESAR R&D activities (until V3) and the requirement had positively supported one or more V3 validation exercise, the same requirement has been tagged in “validated” status.

It is important to highlight that the validation results (Validation Report) are still under production at the time of writing of this document, so there are possibilities of misalignments.

1 Introduction

The Technical Specification document contains descriptions and requirements that define functional and non-functional specifications of Surface Safety Nets Server.

1.1 Purpose of the document

The purpose of this document is to provide information regarding the Specification and the System Requirements of a Surface Safety Nets (SSN) Server which satisfies the needs and expectations of the Tower Controllers.

The requirements are specified according to the following inputs: operational (coming from previous external studies - [10], [13], [14] - and P06.07.01) and technical aspects (coming from the related technical projects). HMI requirements are in charge of project 12.05.04.

1.2 Intended readership

The following could be interested in reading the document and will be part of the formal review of the final draft:

- 06.07.01 as operational project providing requirements and validation activities
- 06.03.01 as manager of operational activities
- 12.01.07, as responsible of Airport Technical Architecture definition
- 12.03.01, as technical project defining and developing Improved Surveillance
- 12.03.03 and 12.03.04, as technical project defining and developing Surface Routing and Guidance
- 12.05.04, as technical project defining and developing Controller Working Position
- 09.14, as technical project defining and developing on board alerting system

The figure below is a schematic diagram showing the interactions between the 12.03.02 project (i.e. this document) and other SESAR projects:

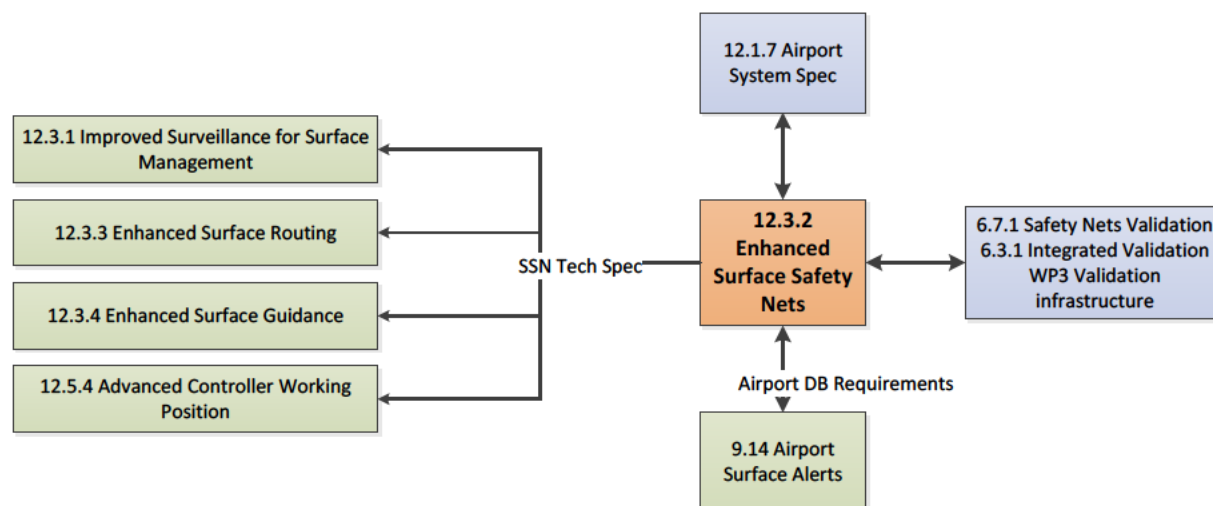


Figure 1: Interactions between P12.03.02 and other SESAR projects

1.3 Inputs from other projects

In the context of the SESAR project P12.03.02, the following documents were used as input for the System Specifications:

- P06.07.01-D29 SPR for “Conflicting ATC Clearances” and “Conformance Monitoring” [7]

- P06.07.01-D32 Interim OSED for Conflicting ATC Clearances and Conformance Monitoring for Controllers [8]

The specifications for the HMI part of the SSN server were written by P12.05.04 with close collaboration of P12.03.02.

The listed documents have been analysed with the purpose to get a set of operational requirements to produce the technical specifications that belongs to the scope of this project. The result of this analysis is the set of technical requirements shown in section 3.

It should be noticed that this Final Technical Specification document was written prior to the availability of Release 5 Validation Results and prior to the updated of final 06.07.01-D32 Final OSED.

1.4 Structure of the document

Section 1 is the introduction. It describes the purpose and scope of the document and the methodology used to derive the requirements, including the purpose of the system under analysis.

Section 2 gives a general description of the SSN Server.

Section 3 describes the capabilities, conditions and constraints of the SSN Server. In particular it contains the functional and non-functional requirements.

Section 4 describes the assumptions taken for this document.

Section 5 describes the referenced documents.

1.5 Requirements Definitions – General Guidance

The requirements were produced to describe both functional and non-functional requirements at system level. The purpose of technical specification is to transform the operational requirements and safety recommendations identified through analysis of external input into a coherent description of SSN component and its capabilities.

Requirements are structured by their types, and then:

- Functional Requirements
- Non-Functional Requirements
 - Adaptability Requirements
 - Performance Requirements
 - Safety Requirements
 - Interface Requirements

These requirements address the “what” and not the “how”, therefore they do not aim at specifying the physical design of the component, but the functional description and the necessary logical interfaces with other functional blocks.

The Functional requirements can be further decomposed in other sub-sections, according to component capabilities (see section 2.3).

1.5.1 Requirements Properties

The requirements are written according to the following statements

Property	Comment
Necessary	The requirement cannot be deleted without changing the scope: The requirement describes an essential function, characteristic or quality. If it were removed, then a deficiency would exist which would not be met by any other capability of the system.
Justifiable	A clear link exists with an initial need or with another requirement.
Feasible	The concept is realistic: technically and legally possible and can be

	accomplished within affordable cost and schedule.
Measurable	A V&V method (e.g. testing) is defined.
Clear and Concise	The requirement is concise, unambiguous and lends itself to a single interpretation.
Consistent	The requirement is not in conflict with other requirements.
Complete	The requirement expresses in itself a single whole idea without need for further explanation.

Table 1: Requirements properties

The technical requirements are written following the document “Requirements and VV Guidelines” (see [2])

In particular, all requirements must contain at least a subject and a statement where the subject is the object under discussion (e.g. system), and the statement is a condition, action, intended result or target objective.

The generic way to write a requirement is: <Object> shall OR should OR may <verb> <Statement> (standard ISO/IEC 15288)

- Requirements are marked by the use of the verb "shall".
- Recommendations are marked by the use of the verb "should".
- Permissions are marked by the use of the verb "may".

1.5.2 Writing Requirements

The naming convention of the requirements is as follows:

REQ-12.03.02-TS-xxxx.yyyy, where

xxxx is the section of requirement

- 2001 for general requirements
- 2002 for runway incursion
- 2003 for area intrusion
- 2004 for conformance monitoring
- 2005 for conflicting ATC clearances
- 2007 for performance
- 2009 for interfaces

yyyy is an order number.

In this document “Validation Method” item of each requirement is blank, because the validation is not covered by technical projects, but by the operational ones.

The traceability between technical requirements and operational requirements was established both with OSED and SPR requirements.

1.6 Functional block Purpose

The purpose of Surface Safety Nets is to support controllers in detecting alert situations. The impacted functional blocks are “Aerodrome Safety Nets” and “Conformance Monitoring” (see section 2.6.1).

The SSN server aims to detect alert situations that are not currently addressed by deployed A-SMGCS systems and, in particular, to be able to detect and provide warning of potential conflicts earlier than current systems can do. The alerts generated by the SSN are then broadcasted to all the interested controller HMI positions.

1.7 Functional block Overview

The SSN server contributes to address:

- **Runway Incursion:** Runway is by far the most critical area for airport surface safety nets. Enhanced algorithms improve runway incursion detection involving each unauthorised entry by an aircraft or a vehicle in presence of contemporary movements within the Runway Protected Volume (RPV). These situations will be detected only with Aerodrome Surveillance data, without any correlation with received clearances. This functional area is considered deployment baseline and it is part of Runway Monitoring and Conflict Alerting (RMCA). The requirements belonging to this function are not traced with any SESAR operational requirements.
- **Area Intrusion:** Enhanced algorithms will improve the detection of unauthorised entry by an aircraft or a vehicle into predefined areas. These situations will be detected only with Aerodrome Surveillance data. This functional area is considered deployment baseline and it is part of RMCA. The requirements belonging to this function are not traced with any SESAR operational requirements.
- **Conformance Monitoring Alert for Controllers (CMAC):** New algorithms and services to detect non-conformance to ATC instructions or aerodrome procedures. Conformance monitoring systems need to be assessed in accordance to complex airport layout and new procedures. These situations are detected combining Aerodrome Surveillance data with data about given clearances and assigned taxi routes.
- **Conflicting ATC Clearances (CATC):** New algorithms detect conflicting ATC clearances input by the controller (i.e. when ATC provides clearances to a mobile that would result in a conflict with other mobiles). The scope is to provide an early prediction of situations that if not corrected would end up in hazardous situations. These situations are detected combining Aerodrome Surveillance data with data about given clearances. This functional area can be considered an early prediction of possible runway incursion conflicts.

These alerts are sent to controllers' HMI developed in the project 12.05.04. In addition, the alert reports can be considered by other clients, like Operational Supervision component, etc.

1.8 Glossary of terms

Term	Definition	Source
Alert Situation	An indication of an existing or pending situation during aerodrome operations, or an indication of abnormal A-SMGCS operation, that requires attention/action.	ICAO-A-SMGCS Manual 9830 [16]
Information	It is used to inform the controller that a situation which is potentially dangerous may occur and he/she needs to be made aware of. According to the situation, the controller receiving a stage 1 alert (typically in yellow colour) may take a specific action to resolve the alert if needed	SESAR 06.07.01 D32 [8]
Alarm	It is used to inform the controller that a critical situation is developing which needs immediate action. Typically it is displayed in red colour.	SESAR 06.07.01 D32 [8]
Obstacle	Any object, or part thereof, or terrain which rises far enough above the surrounding surface or above a specified height to create a hazard to aircraft operations.. Obstacle objects may be fixed (whether temporary or permanent) or mobile.	EUROCONTROL ATM Lexicon

Term	Definition	Source
Runway Incursion	Any occurrence at an aerodrome involving the incorrect presence of an aircraft, vehicle or person on the protected area of a surface designated for the landing and take-off of aircraft	ICAO (2005) ICAO Document 4444 "Air Traffic Management - Procedures for Air Navigation Services"
Runway Protection Volume	<p>A defined volume including the runway and stop way, if provided, intended:</p> <ul style="list-style-type: none"> to reduce the risk of damage to aircraft running off a runway; and to protect aircraft flying over it during take-off or landing operations <p>The RPV is composed of two boundaries:</p> <ul style="list-style-type: none"> Ground boundary to detect mobiles on the surface Air boundary to detect airborne aircraft 	N.A.
Taxi Plan	Information associated to a mobile regarding Clearances and Cleared taxi route if available.	N.A.
Type of alert	A specific conflict detected by the SSN server. It is one of the alerts defined in the section 3.1.	N.A.

1.9 Acronyms and Terminology

Term	Definition
A-FDPS	Aerodrome Flight Data Processing System
A-SMGCS	Advanced Surface Movement Guidance and Control System
ATC	Air Traffic Control
ATCO	Air Traffic Controller
ATC system	In the context of this document the term ATC system refers to a combination of the A-SMGCS (Surveillance and Control) and the Electronic Flight Strips
ATM	Air Traffic Management
CATC	Conflicting ATC Clearances
CMAC	Conformance Monitoring Alerts for Controllers
DOD	Detailed Operational Description
FB	Functional Block
HMI	Human-Machine Interaction

Term	Definition
HP	Holding Point
HW	Hardware
ICAO	International Civil Aviation Organization
LVC	Low Visibility Condition
LVP	Low Visibility Procedure
OSED	Operational Service and Environment Definition
R&D	Research and Development
RIMS	Runway Incursion Monitoring System
RMCA	Runway Monitoring and Conflict Alerting
RPA	Runway Protected Area
RPV	Runway Protection Volume.
RWSL	Runway Status Light
RWY	Runway
SESAR	Single European Sky ATM Research Programme
SJU	SESAR Joint Undertaking (Agency of the European Commission)
SJU Work Programme	The programme which addresses all activities of the SESAR Joint Undertaking Agency.
SESAR Programme	The programme which defines the Research and Development activities and Projects for the SJU.
SPR	Safety and Performance Requirements
SSN	Surface Safety Nets
SSR	Secondary Surveillance Radar
SW	Software
TS	Technical Specification
TAD	Technical Architecture Description
TWY	Taxiway
WP	Work Package

2 General Functional block Description

2.1 Context

Control, which includes enhanced Surface Safety Nets, is one of the four primary functional elements of an A-SMGCS, as specified in ICAO Doc 9830 A-SMGCS Manual [16]:

- Surveillance:** to provide accurate position information on all movements within the movement area and to provide identification and labelling of authorized movements;
- Routing (including Planning):** to permit designation of a route for each aircraft or vehicle within the movement area;
- Guidance:** to provide clear indications to pilots and vehicle drivers to allow them to follow their assigned routes; and
- Control:** to provide continuous interpretation of the traffic situation, including verification of planned events and detection and alerting of potential conflicts and other hazardous situations.

The diagram below (EUROCAE ED-87B [10]) illustrates the interaction between these functional elements.

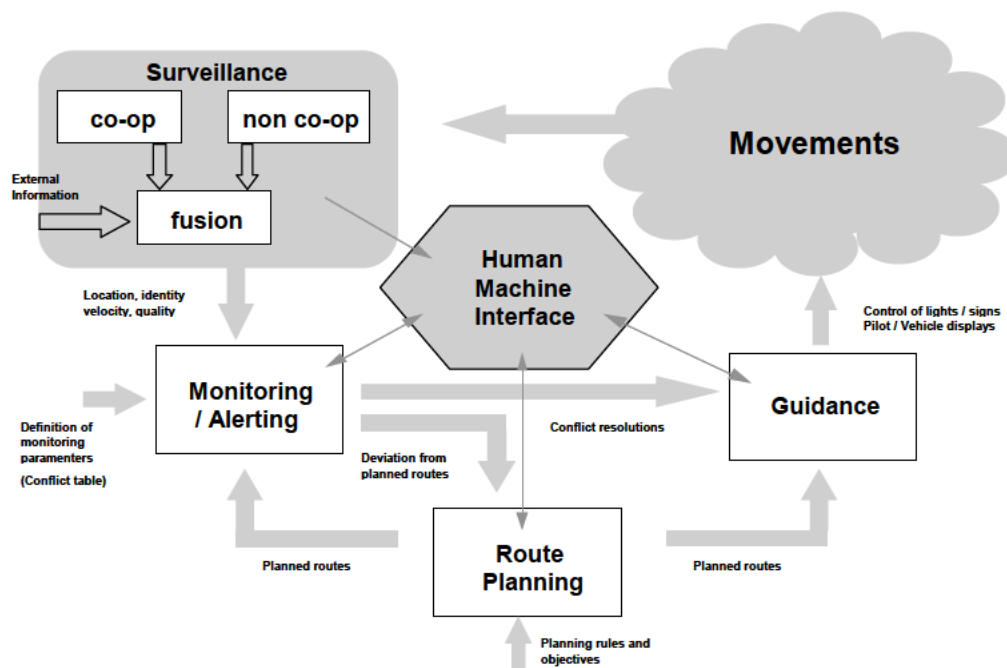


Figure 2: Interaction among different A-SMGCS functional elements

The current definition of an A-SMGCS control function (ICAO Doc 9830) has to be improved through the implementation and the continuous updating of tools for predicting, detecting, and resolving conflicts giving the appropriate alerts.

As far as SESAR is concerned, one of the programme targets is to enable a 3-fold increase in capacity; this issue will become even more critical in the future if no new safety support tool is implemented. This project also aimed at contributing to another SESAR objective, which is increasing the safety by a factor 10.

According to EUROCONTROL studies [17], the most frequent runway incursions are:

- Aircraft enters or crosses a runway without a clearance
- Airside vehicle driver enters or crosses a runway without a clearance

Other airport incidents include:

- Non-conformance of aircrafts movements to ATC instruction or procedures
- Conflicting ATC clearances

Therefore, additional safety support tools are needed to reduce the incidents probability and increase safety during airport operations (in particular on the runway) which can increase airport capacity.

The objective of Project 12.03.02 was the improvement of all aspects of Surface Safety Nets addressing runway incursion, area intrusion, non-conformance to ATC procedures and instructions and conflict alerts distribution.

The performance of the SSN is largely dependent upon the input data received from the Aerodrome Surveillance element, but also flight data, including given clearances and assigned taxi routes.

2.2 Functional block Modes and States

The Surface Safety Nets (SSN) function is a modular component of an A-SMGCS. Its role is to continuously monitor the aerodrome traffic situation and clearances given by ATC, and to detect and report when any of the monitoring rules programmed into the system are not adhered to.

The two main inputs required by the SSN to trigger alerts, in its normal mode of operation, are:

- Traffic situation information is received by the SSN as target report messages in an agreed data format (normally ASTERIX Category 011 or Category 062) from the A-SMGCS Aerodrome Surveillance system. The target report data shall meet (or preferably exceed) the minimum requirements regarding latency, accuracy of position and accuracy of velocity, as specified in [11], and be continuously available throughout the required coverage volume at the aerodrome. The target report data shall include information about target identification and target type (aircraft type or vehicle fleet type),
- Data describing clearances given, and cleared taxi routes assigned, by ATC. This data will come from the Aerodrome Flight Data Processing System (A-FDPS).

Other types of data (Airports layout, Runway status...) are also needed by the SSN. They are described in section 3.9.

2.2.1 Configurability

The SSN has a built-in set of monitoring rules that may be configured and adapted to the specific needs of any aerodrome. The overall rule set is described by the set of capability requirements in section 3.1 of this document.

There are separate rule sets for the four different functional areas that the SSN can address:

1. Runway Incursion
2. Area Intrusion
3. Non-Conformance to ATC Instructions or ATC Procedures
4. Conflicting ATC Clearances

Within each of these rule sets, it should be possible to enable or disable any specific rule and to configure parameters and geographical areas, if any, associated with each rule.

Parameters associated with each rule are specified in the requirements in section 3.1.

2.2.2 Degraded Modes of Operation

The SSN function has one degraded mode of operation, the surveillance-only mode

In this mode, the SSN is missing the input of ATC clearance data, but it is able to continue to monitor the traffic situation, and to give alerts in the event of conflicts, based purely on Aerodrome Surveillance data, i.e. the system degrades to RMCA. Only alerts related to runway incursion

(requirements of section 3.1.2) and to area intrusion (requirements of section 3.1.3) are available in this mode.

2.3 Major Functional block Capabilities

The purpose of SSN server is to detect and foresee the conflicts on the airport (both ground and final approach) related to mobiles. Data related to each detected conflict will be distributed to Controller HMI, and to any other client system that needs the data.

The main functions, in which the functional requirements can be grouped, are:

- General
- Runway Incursion
- Area Intrusion
- Conformance Monitoring
- Conflicting ATC Clearances

2.4 User Characteristics

P12.03.02 developed several safety support tools for controllers:

Tower Controllers provide an Air Traffic Service at controlled aerodromes. They are responsible for the safe and efficient flow of aircraft and vehicles on the runways (Tower Runway Controllers) and on the manoeuvring areas (Tower Ground Controllers).

2.5 Operational Scenarios

The following use cases are taken as examples of the ones defined by project 06.07.01 in its OSED document. The scope of project 06.07.01 is wider than just those examples regarding the ATCO's alerting needs.

2.5.1 Runway Incursion

2.5.1.1 Preamble

Runway incursion is the most critical situation for airport SSN: it shall be dealt with accordingly, through enhanced algorithms for detection of unauthorized entry by aircraft or vehicles into runway protection areas.

The following scenario is based on the Use case 1 from the P06.07.01 draft OSED for RWSL (see Ref [9]); even if the SSN and RWSL are two separate and independent systems.

Note : Runway Incursions can occur in various ways, involving either a vehicle or an aircraft entering a runway, whatever movement is in progress on that runway (take-off, landing, or even no movement at all). The runway incursion severity may be different in either case.

2.5.1.2 Scenario for a departure flight

Pre-Conditions

The ATC system is equipped with A-SMGCS Aerodrome Surveillance and the controller HMI is connected to a Surface Safety Nets server which raises Runway Incursion alerts.

Actors

Runway Controller / Pilot / Vehicle drivers

Trigger

An aircraft is taking-off and a vehicle is crossing the stop bar.

Main Flow

founding members



Avenue de Cortenbergh 100 | B -1000 Bruxelles
www.sesarju.eu

1. Aircraft A is waiting at a holding point HP1 for RWY1.
2. Runway controller allows the aircraft to line up on RWY1.
3. Aircraft A is entering RWY1 and is lining on RWY1.
4. Runway controller allows the aircraft to take-off on RWY1.
5. A vehicle enters the runway from the other side of the runway
6. The ATC system sends an alert to the controller HMI and a sound is played to alert the controller of a dangerous situation
7. The controller acknowledges the alert, evaluates the situation and takes the right decision (either by cancelling the take-off or asking the driver to clear the runway)
8. End of the scenario.

2.5.2 Area Intrusion

2.5.2.1 Preamble

The area intrusion is the entry of a mobile either to a Restricted Area or to Limited Access Area.

2.5.2.2 Scenario for a Restricted Area

Pre-Conditions

- The ATC system is equipped with A-SMGCS Aerodrome Surveillance and the Controller HMI is connected to a Surface Safety Nets server which raises area intrusion alerts
- Area D is a restricted area

Actors

Ground Controller / Vehicle driver

Trigger

A vehicle is entering a restricted area.

Main Flow

1. Inspection Vehicle going to runway enters Area D
2. The ATC system sends an alert to the controller HMI to alert the controller of entry of a restricted area
3. The controller acknowledges the alert, evaluates the situation and asks the driver to stop immediately or gives him the authorization to proceed.
4. End of the scenario

2.5.3 Conflicting ATC Clearances

2.5.3.1 Preamble

The aim for the detection of Conflicting Clearances by this component is to provide an early detection of situations that if not corrected would end up in hazardous situations. Rather than replacing the existing deployed A-SMGCS RMCA, the Conflicting Clearances Detection Function shall complement it and provide an extra layer of safety to prevent accidents from occurring.

It will be based on the knowledge of the clearances given to aircraft or vehicles by controllers, as well as in some cases on A-SMGCS Aerodrome Surveillance data from mobiles' position on the airport surface or on short final.

Different types of conflicting clearances are identified and explained in the P06.07.01 Interim OSED (see Ref [8]). The P06.07.01 OSED provides also some scenarios, the following paragraph provides an example of scenario, and others can be found in the OSED:

2.5.3.2 Scenario “Cleared to Land versus Line-Up”

Pre-Conditions

The ATC system is equipped with Electronic Flight Strips (and A-SMGCS Aerodrome Surveillance for alternative flow), and the Controller HMI is connected to a Surface Safety Nets server which raises Conflicting ATC Clearances alerts.

Post Conditions

A “Conflicting ATC Clearance” alert (Cleared to Land versus Line-Up) is presented on the Runway Controller’s HMI.

Actors

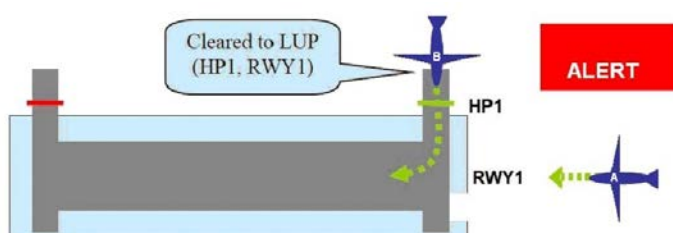
Runway Controller / Pilots

Trigger

The input of the ‘line up’ ATC Clearance by the ATCO

Main Flow

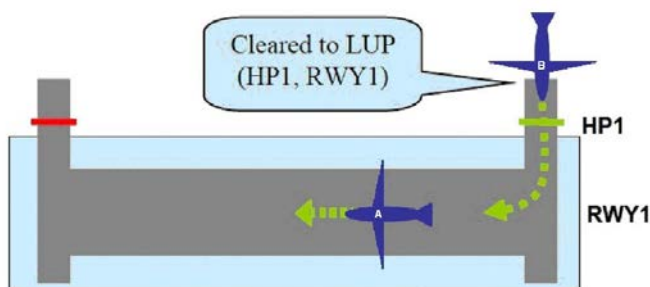
1. Aircraft A is on final for RWY1 and receives from the Tower Runway Controller its landing clearance on this runway via R/T.
2. The Tower Runway Controller makes an input 'Cleared to Land on runway 1' on the Human Machine Interface (HMI) for Aircraft A,
3. Aircraft B is ready for departure, waiting at a Holding Point HP1 for RWY1.
4. The Tower Runway Controller clears aircraft B to line up on RWY1 and makes an input 'Line-Up RWY1' on the HMI for Aircraft B.
5. The ATC system verifies the relative position of both aircraft based on A-SMGCS Aerodrome Surveillance data.



6. The ATC system detects that the aircraft A has not passed the HP1 for the runway where aircraft B is waiting and then triggers an alarm, informing the Tower Runway Controller, that an alert situation has been detected by the ATC system.
7. The alarm triggered by the ATC system, is displayed on the Tower Runway Controller's HMI, and clearly identifies the pair of aircraft involved and the reason for the alarm.
8. Simultaneously with [7], an audio alarm sounds on the CWP to warn the Tower Runway Controller
9. The Tower Runway Controller cancels the 'line up' clearance by R/T to aircraft B and cancels the 'line up' input on the HMI.
10. The ATC system cancels the Conflicting ATC clearance alarm and removes the Conflicting ATC clearance from the Tower Runway Controller's HMI.
11. The Use Case ends.

Alternative Flows

[6] -The ATC system detects that the landing aircraft A has already passed the HP1 for the runway where aircraft B is waiting and then no alarm is triggered.



No alarm is triggered
The Use Case ends.

[9] - The Tower Runway Controller considers the situation still safe and ignores the triggered alarm.

The Tower Runway Controller informs the ATC system, via an input, that he/she ignores the triggered alarm.

The flow continues at step 10.

2.5.4 Non-conformance to ATC Instructions

2.5.4.1 Preamble

A non-conformance to ATC instructions alert is generated by the ATC system when a mobile's behaviour is not conforming to ATC clearances given by the controller. The inputs of the Controller in the ATC system via the Controller Human Machine Interface are compared with the Surveillance data from the A-SMGCS Aerodrome Surveillance function.

The following is an example of Non-conformance to ATC instructions scenario. Other examples can be found in P06.07.01 D32: P06.07.01 OSED for "Conflicting ATC Clearances" and "Conformance Monitoring for Controllers".

2.5.4.2 Scenario "route deviation"

Pre-Conditions

The ATC system is equipped with A-SMGCS Aerodrome Surveillance and the Controller HMI is connected to a Surface Safety Nets server which raises route deviation alerts (it is able to compare the current position with the cleared one).

Actors

Ground Controller / Pilot

Trigger

An aircraft is deviating from its cleared route.

Main Flow

1. The Pilot asks for Taxi clearance (Aircraft A is waiting at apron after finishing pushback.)
2. The Ground controller allows the aircraft to TAXI to holding point HP1 of RWY1 via A-B-C-E. (another alternative route to HP1 is A-B-C-D)
3. Aircraft A arrives to the junction and has the choice between D and E
4. The Pilot chooses taxiway D (and Aircraft A continues taxiing on taxiway D)
5. The SSN server sends an alert to the HMI to alert the controller of route deviation: it is a non-conformance to ATC instruction.

6. The controller acknowledges the alert, evaluates the situation and asks the pilot to hold immediately or to change the route.
7. End of the scenario.

2.5.5 Non-conformance to ATC Procedures

2.5.5.1 Preamble

The A-SMGCS Aerodrome Surveillance function and elements of the Flight Plan Data (such as aircraft flight type) are checked against published ATC procedures. Alerts shall be generated for infringements to any explicit ATC procedures.

The following is an example of Non-conformance to ATC procedures scenario. Other examples can be found in P06.07.01 D32: P06.07.01 OSED for "Conflicting ATC Clearances" and "Conformance Monitoring for Controllers".

2.5.5.2 Scenario "High speed"

Pre-Conditions

The ATC system is equipped with A-SMGCS Aerodrome Surveillance and the Controller HMI is connected to a Surface Safety Nets server which raises high speed alerts (it is able to compare the current aircraft speed with the airport standard rules).

Actors

Ground Controller / Pilot

Trigger

An aircraft is taxiing with a speed higher than the maximum speed limit for the airport taxiways.

Main Flow

1. The Pilot asks for Taxi clearance (Aircraft A is waiting at apron after finishing pushback.)
2. The Ground controller allows the aircraft to taxi to holding point HP1 of RWY1 via A-B-C-E.
3. Aircraft A is in a long taxiway (B) and reaches the airport taxiway maximum speed limit
4. The pilot continues to accelerate
5. A "High Speed" alarm is raised in the HMI "High Speed" for Aircraft A
6. The controller asks the pilot of Aircraft A to reduce the speed.

End of scenario.

2.6 Functional

2.6.1 Functional decomposition

The current version of TAD document [15], produced by P12.01.07, decomposes the Aerodrome ATC Domain System in several Functional Blocks, according to Figure 3

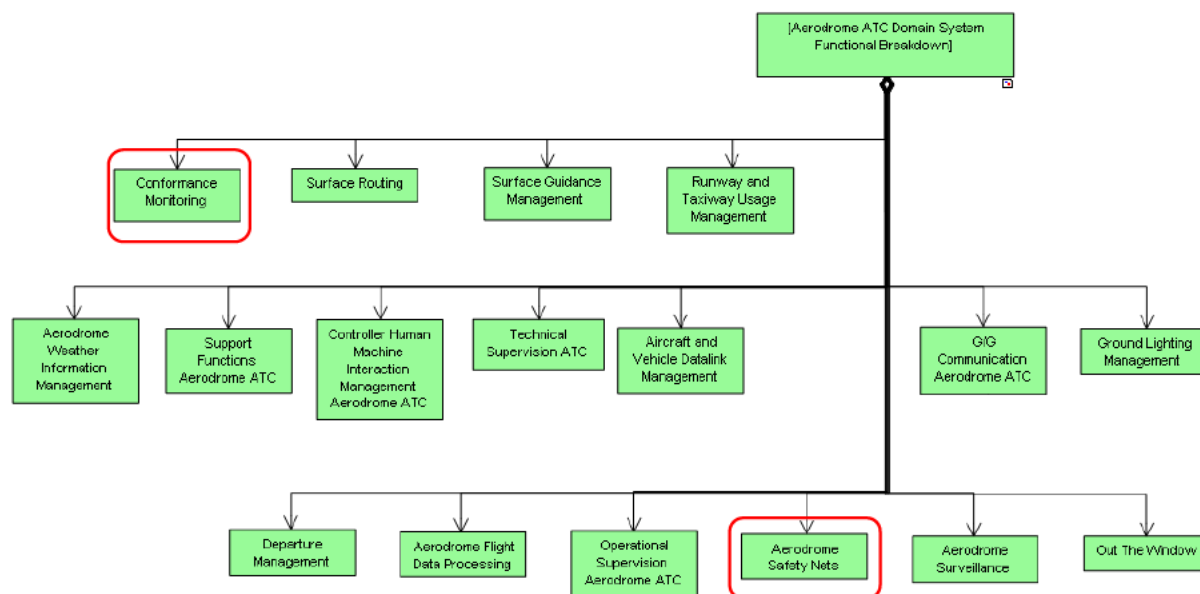


Figure 3: Aerodrome ATC Domain System - Functional Breakdown

In this picture, the “Conformance Monitoring” and “Aerodrome Safety Nets” functional blocks are circled because they are the two functional blocks addressed in this document. The “Surface Safety Nets” server described all along the document is then considered as the composition of the two functional blocks “Conformance Monitoring” and “Aerodrome Safety Nets”. For this reason, the data flows and the requirements refer to the mentioned functional blocks.

2.6.2 Functional analysis

The Surface Safety Nets is a part of Aerodrome ATC System and its role is to monitor the traffic situation and the flight plans and to detect any of the monitoring rules programmed into the system are violated.

12.1.7 TAD [15] reflects the principal data flows of the two functional blocks. The following tables import and review these flows.

Conformance Monitoring FB data flow:

Data Flow In/Out	Origin	Destination
SFPL	Aerodrome Flight Data Processing	Conformance Monitoring
Conformance Monitoring Alerts	Conformance Monitoring	CHMIM
Surveillance Data	Aerodrome Surveillance	Conformance Monitoring
Ground Correlation Information	Aerodrome Surveillance	Conformance Monitoring
Taxi Route Data	Surface Routing	Conformance Monitoring
Runway/Taxiway Status	Runway and Taxiway Usage Management	Conformance Monitoring
Conf Mon data for recording	Conformance Monitoring	Support Functions Aerodrome ATC
Status Information	Conformance Monitoring	Technical Supervision ATC
Configuration Command	Technical Supervision ATC	Conformance Monitoring

Airport Configuration	Operational Supervision Aerodrome ATC	Conformance Monitoring
VBC Status	Surface Guidance Management	Conformance Monitoring
Conformance Monitoring Alert	Conformance Monitoring	Surface Guidance Management

Aerodrome Safety Nets FB data flow:

Data Flow In/Out	Origin	Destination
Aerodrome Safety Nets Alerts	Aerodrome Safety Nets	CHMIM
Surveillance Data	Aerodrome Surveillance	Aerodrome Safety Nets
Ground Correlation information	Aerodrome Surveillance	Aerodrome Safety Nets
Runway and Taxiway Status	Runway and Taxiway Usage Management	Aerodrome Safety Nets
Aerodrome Conflict data for recording	Aerodrome Safety Nets	Support Functions Aerodrome ATC
Configuration Command	Technical Supervision ATC	Aerodrome Safety Nets
Status Information	Aerodrome Safety Nets	Technical Supervision ATC
Airport Configuration	Operational Supervision Aerodrome ATC	Aerodrome Safety Nets
SFPL	Aerodrome Flight Data Processing	Aerodrome Safety Nets

Figure 4 shows the SSN (the coupling of Taxi Conformance Monitoring and Aerodrome Safety Nets functional blocks) in the context of its relationship with the other functional blocks of Aerodrome ATC.

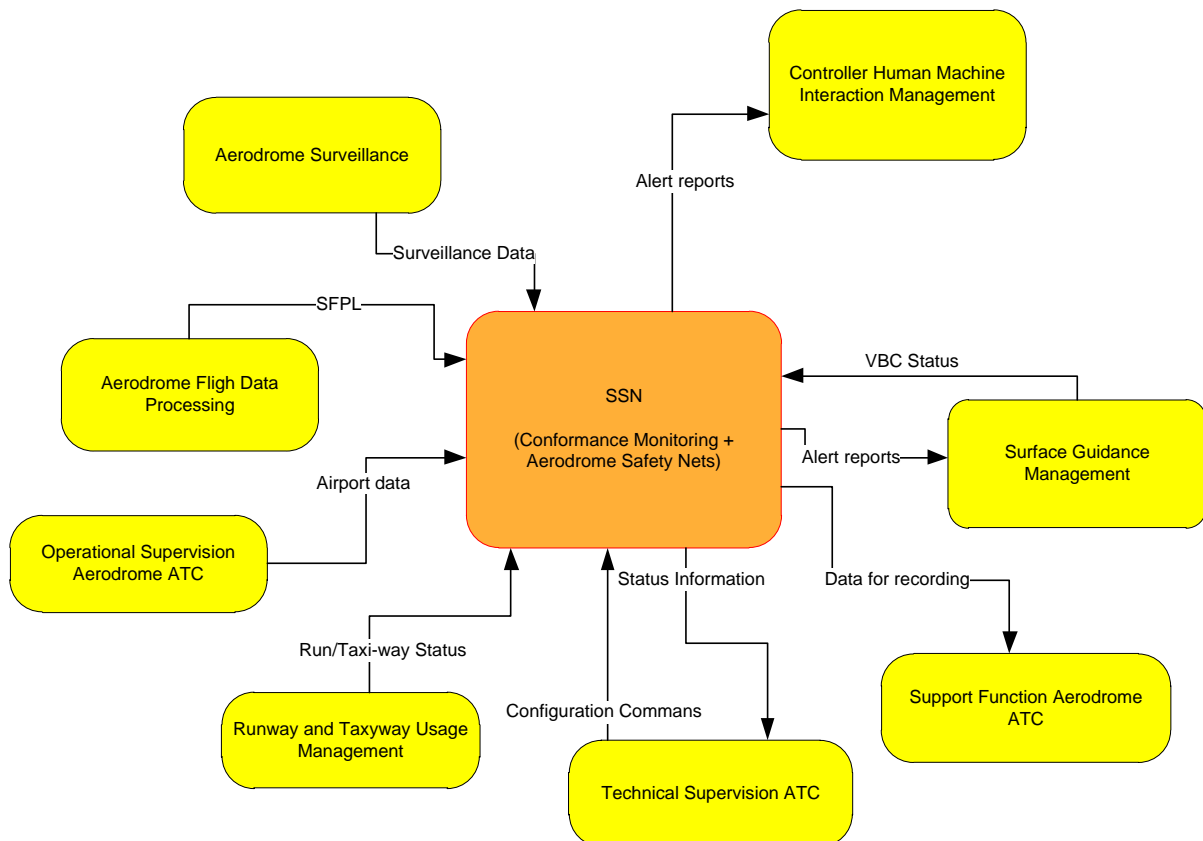


Figure 4: SSN interfaces

2.7 Service View

N.A.

3 Functional block Functional and non-Functional Requirements

3.1 Capabilities

3.1.1 General Requirements

[REQ]

Identifier	REQ-12.03.02-TS-2001.0010
Requirement	The SSN server shall continuously process the target reports coming from the Aerodrome Surveillance function, related clearances and cleared routes coming from the AFDPS to compare the traffic situation in real time with the set of predefined alert situations (specified in following requirements).
Title	SSN processing
Status	<Validated>
Rationale	Essential inputs for the SSN server are tracks and related Flight Plan Data (clearances, routes, assigned runways...).
Category	<Functional>
Validation Method	
Verification Method	<Test>

[REQ Trace]

Relationship	Linked Element Type	Identifier	Compliance
<SATISFIES>	<Enabler>	AERODROME-ATC-03	<Full>
<SATISFIES>	<Enabler>	AERODROME-ATC-06	<Full>
<SATISFIES>	<Enabler>	AERODROME-ATC-07	<Full>
<SATISFIES>	<ATMS Requirement>	REQ-06.07.01-SPR-CMAC.0001	<Partial>
<SATISFIES>	<ATMS Requirement>	REQ-06.07.01-SPR-CATC.0003	<Partial>
<ALLOCATED_TO>	<Functional block>	Aerodrome Safety Nets	N/A
<ALLOCATED_TO>	<Functional block>	Conformance Monitoring	N/A
<APPLIES_TO>	<Operational Focus Area>	OFA01.02.01	N/A
<ALLOCATED_TO>	<Project>	12.03.02	N/A

[REQ]

Identifier	REQ-12.03.02-TS-2001.0020
Requirement	The SSN server, in case of unavailability of clearances and/or of cleared routes from AFDPS (Degraded Mode), shall continuously process the target reports only, to compare the traffic situation with a sub-set of predefined alert situations.
Title	SSN degraded processing 1
Status	<Validated>
Rationale	SSN processing without AFDPS needed inputs.
Category	<Functional>
Validation Method	
Verification Method	<Test>

[REQ Trace]

Relationship	Linked Element Type	Identifier	Compliance
<SATISFIES>	<Enabler>	AERODROME-ATC-06	<Full>
<SATISFIES>	<Enabler>	AERODROME-ATC-03	<Full>
<SATISFIES>	<Enabler>	AERODROME-ATC-07	<Full>
<SATISFIES>	<ATMS Requirement>	REQ-06.07.01-SPR-CMAC.0007	<Partial>
<ALLOCATED_TO>	<Functional block>	Aerodrome Safety Nets	N/A
<ALLOCATED_TO>	<Functional block>	Conformance Monitoring	N/A
<APPLIES_TO>	<Operational Focus Area>	OFA01.02.01	N/A

founding members



Avenue de Cortenbergh 100 | B -1000 Bruxelles
www.sesarju.eu

<ALLOCATED_TO>	<Project>	12.03.02	N/A
----------------	-----------	----------	-----

[REQ]

Identifier	REQ-12.03.02-TS-2001.0045
Requirement	The SSN server shall generate Alert Reports that include data about the severity of the alert. The severity for each type of alert shall be configurable for INFORMATION or ALARM levels, according to the alert type and the location of the mobile.
Title	Alert severity
Status	<Validated>
Rationale	The classification of alerts allows the Controller to better understand the severity of the situation. The configurability of each alert reported in this requirement is partially contradictory with others prescribing a fixed severity (e.g. REQ-12.03.02-TS-2002.0010 states that the stop-bar overrun is always in Alert. It is recommended to operational experts to clarify.
Category	<Functional>
Validation Method	
Verification Method	<Test>

[REQ Trace]

Relationship	Linked Element Type	Identifier	Compliance
<SATISFIES>	<Enabler>	AERODROME-ATC-03	<Full>
<SATISFIES>	<Enabler>	AERODROME-ATC-06	<Full>
<SATISFIES>	<Enabler>	AERODROME-ATC-07	<Full>
<SATISFIES>	<ATMS Requirement>	REQ-06.07.01-OSED-GENL.0008	<Full>
<SATISFIES>	<ATMS Requirement>	REQ-06.07.01-OSED-CMAC.0031	<Partial>
<SATISFIES>	<ATMS Requirement>	REQ-06.07.01-OSED-CMAC.0032	<Partial>
<SATISFIES>	<ATMS Requirement>	REQ-06.07.01-OSED-CMAC.0033	<Partial>
<SATISFIES>	<ATMS Requirement>	REQ-06.07.01-OSED-CMAC.0034	<Partial>
<SATISFIES>	<ATMS Requirement>	REQ-06.07.01-OSED-CMAC.0035	<Partial>
<SATISFIES>	<ATMS Requirement>	REQ-06.07.01-OSED-CMAC.0036	<Partial>
<SATISFIES>	<ATMS Requirement>	REQ-06.07.01-OSED-CMAC.0037	<Partial>
<SATISFIES>	<ATMS Requirement>	REQ-06.07.01-SPR-CMAC.0029	<Partial>
<SATISFIES>	<ATMS Requirement>	REQ-06.07.01-SPR-CMAC.0030	<Partial>
<SATISFIES>	<ATMS Requirement>	REQ-06.07.01-SPR-CMAC.0058	<Partial>
<SATISFIES>	<ATMS Requirement>	REQ-06.07.01-SPR-CMAC.0059	<Partial>
<ALLOCATED_TO>	<Functional block>	Aerodrome Safety Nets	N/A
<ALLOCATED_TO>	<Functional block>	Conformance Monitoring	N/A
<APPLIES_TO>	<Operational Focus Area>	OFA01.02.01	N/A
<ALLOCATED_TO>	<Project>	12.03.02	N/A

[REQ]

Identifier	REQ-12.03.02-TS-2001.0050
Requirement	Whenever it detects a mobile or mobiles in a predefined alert situation, the SSN server shall create and broadcast alert reports with at least the following information: <ul style="list-style-type: none"> • Alert report identifier • Type of alert • Alert severity level • Time of alert • Identity of target(s) in alert situation <ul style="list-style-type: none"> ○ Track number (if available) ○ Target ID (call-sign, SSR code, or registration) (if available)
Title	Alert report content
Status	<Validated>

Rationale	The alert report with right information is essential to correctly notify the Controller.
Category	<Functional>
Validation Method	
Verification Method	<Test>

[REQ Trace]

Relationship	Linked Element Type	Identifier	Compliance
<SATISFIES>	<Enabler>	AERODROME-ATC-03	<Full>
<SATISFIES>	<Enabler>	AERODROME-ATC-06	<Full>
<SATISFIES>	<Enabler>	AERODROME-ATC-07	<Full>
<SATISFIES>	<ATMS Requirement>	REQ-06.02-DOD-6200.0003	<Partial>
<ALLOCATED_TO>	<Functional block>	Aerodrome Safety Nets	N/A
<ALLOCATED_TO>	<Functional block>	Conformance Monitoring	N/A
<APPLIES_TO>	<Operational Focus Area>	OFA01.02.01	N/A
<ALLOCATED_TO>	<Project>	12.03.02	N/A

[REQ]

Identifier	REQ-12.03.02-TS-2001.0070
Requirement	The SSN server shall generate the Alert Report as long as the alert situation exists.
Title	Alert termination 1
Status	<Validated>
Rationale	The alert reports shall be sent only for valid conflicting situations.
Category	<Functional>
Validation Method	
Verification Method	<Test>

[REQ Trace]

Relationship	Linked Element Type	Identifier	Compliance
<SATISFIES>	<Enabler>	AERODROME-ATC-03	<Full>
<SATISFIES>	<Enabler>	AERODROME-ATC-06	<Full>
<SATISFIES>	<Enabler>	AERODROME-ATC-07	<Full>
<SATISFIES>	<ATMS Requirement>	REQ-06.07.01-OSED-GENL.0013	<Partial>
<ALLOCATED_TO>	<Functional block>	Aerodrome Safety Nets	N/A
<ALLOCATED_TO>	<Functional block>	Conformance Monitoring	N/A
<APPLIES_TO>	<Operational Focus Area>	OFA01.02.01	N/A
<ALLOCATED_TO>	<Project>	12.03.02	N/A

[REQ]

Identifier	REQ-12.03.02-TS-2001.0080
Requirement	The SSN server shall generate an Alert Termination Report when the alert situation ceases.
Title	Alert termination 2
Status	<Validated>
Rationale	The alert reports shall be sent only for valid conflicting situations.
Category	<Functional>
Validation Method	
Verification Method	<Test>

[REQ Trace]

Relationship	Linked Element Type	Identifier	Compliance
<SATISFIES>	<Enabler>	AERODROME-ATC-02	<Full>
<SATISFIES>	<Enabler>	AERODROME-ATC-03	<Full>
<ALLOCATED_TO>	<Functional block>	Aerodrome Safety Nets	N/A
<ALLOCATED_TO>	<Functional block>	Conformance Monitoring	N/A
<APPLIES_TO>	<Operational Focus Area>	OFA01.02.01	N/A

<ALLOCATED_TO>	<Project>	12.03.02	N/A
----------------	-----------	----------	-----

[REQ]

Identifier	REQ-12.03.02-TS-2001.0090
Requirement	The SSN server shall have, in its internal database, airport layout and topology information, including reference points (holding positions, stop bars, RWY thresholds) and fixed obstacles.
Title	Airport layout
Status	<Validated>
Rationale	SSN needs to know airport topology to detect the conflicts
Category	<Functional>
Validation Method	
Verification Method	<Test>

[REQ Trace]

Relationship	Linked Element Type	Identifier	Compliance
<SATISFIES>	<Enabler>	AERODROME-ATC-03	<Full>
<SATISFIES>	<Enabler>	AERODROME-ATC-06	<Full>
<SATISFIES>	<Enabler>	AERODROME-ATC-07	<Full>
<SATISFIES>	<ATMS Requirement>	REQ-06.07.01-SPR-CMAC.0006	<Partial>
<SATISFIES>	<ATMS Requirement>	REQ-06.07.01-SPR-CMAC.0037	<Partial>
<ALLOCATED_TO>	<Functional block>	Aerodrome Safety Nets	N/A
<ALLOCATED_TO>	<Functional block>	Conformance Monitoring	N/A
<APPLIES TO>	<Operational Focus Area>	OFA01.02.01	N/A
<ALLOCATED_TO>	<Project>	12.03.02	N/A

3.1.2 Runway Incursion Requirements

The requirements listed in this section do not directly come from operational requirements of P06.07.01, because they are considered as Baseline (previous of SESAR). Anyhow, project 12.3.2 prefers to include them for completeness of definition of SSN server.

This functional area, in fact, is considered mature enough to not be considered further investigated by the interested projects. The alerts generated considering the requirements of this section are based only on surveillance data, without any correlation with given clearances and movement plans.

The requirements are not traced to any SESAR operational requirement.

[REQ]

Identifier	REQ-12.03.02-TS-2002.0020
Requirement	The SSN server shall trigger an alert (INFORMATION) if an aircraft is detected approaching to land and its expected time to reach the runway threshold is T1 (or less, T1 being configurable) and another mobile or obstacle is in the RPV.
Title	Arrival aircraft with traffic 1
Status	<Validated>
Rationale	This situation can create a potential risk of collision with another mobile.
Category	<Functional>
Validation Method	
Verification Method	<Test>

[REQ Trace]

Relationship	Linked Element Type	Identifier	Compliance
<SATISFIES>	<Enabler>	AERODROME-ATC-03	<Full>
<ALLOCATED_TO>	<Project>	12.03.02	N/A

founding members



Avenue de Cortenbergh 100 | B -1000 Bruxelles
www.sesarju.eu

<ALLOCATED_TO>	<Functional block>	Aerodrome Safety Nets	N/A
----------------	--------------------	-----------------------	-----

[REQ]

Identifier	REQ-12.03.02-TS-2002.0025
Requirement	The SSN server shall terminate the alert related to arrival aircraft with traffic when the mobile leaves the RPV
Title	Arrival aircraft with traffic termination
Status	<Validated>
Rationale	The runway incursion alert ends when the runway is no more occupied
Category	<Functional>
Validation Method	
Verification Method	<Test>

[REQ Trace]

Relationship	Linked Element Type	Identifier	Compliance
<SATISFIES>	<Enabler>	AERODROME-ATC-03	<Full>
<ALLOCATED_TO>	<Functional block>	Aerodrome Safety Nets	N/A
<ALLOCATED_TO>	<Project>	12.03.02	N/A

[REQ]

Identifier	REQ-12.03.02-TS-2002.0030
Requirement	The SSN server shall trigger an alert (ALARM) if an aircraft is detected approaching to land and its expected time to reach the runway threshold is T2 (or less, T2 being configurable and T2<T1) and another mobile or obstacle is in the RPV.
Title	Arrival aircraft with traffic 2
Status	<Validated>
Rationale	This situation can create a potential risk of collision with another mobile.
Category	<Functional>
Validation Method	
Verification Method	<Test>

[REQ Trace]

Relationship	Linked Element Type	Identifier	Compliance
<SATISFIES>	<Enabler>	AERODROME-ATC-03	<Full>
<ALLOCATED_TO>	<Functional block>	Aerodrome Safety Nets	N/A
<ALLOCATED_TO>	<Project>	12.03.02	N/A

[REQ]

Identifier	REQ-12.03.02-TS-2002.0040
Requirement	The SSN server shall trigger an alert (ALARM) if an aircraft is detected taking off and another mobile is in the RPV, ahead of the taking-off aircraft.
Title	Departure aircraft with traffic
Status	<Validated>
Rationale	This situation can create a potential risk of collision with another mobile.
Category	<Functional>
Validation Method	
Verification Method	<Test>

[REQ Trace]

Relationship	Linked Element Type	Identifier	Compliance
<SATISFIES>	<Enabler>	AERODROME-ATC-03	<Full>

founding members



Avenue de Cortenbergh 100 | B -1000 Bruxelles
www.sesarju.eu

<ALLOCATED_TO>	<Functional block>	Aerodrome Safety Nets	N/A
<ALLOCATED_TO>	<Project>	12.03.02	N/A

[REQ]

Identifier	REQ-12.03.02-TS-2002.0045
Requirement	The SSN server shall terminate the alert related to departure aircraft with traffic when the mobile leaves the RPV or it is behind the taking-off aircraft.
Title	Departure aircraft with traffic termination
Status	<Validated>
Rationale	The runway incursion alert ends when the runway is no more occupied
Category	<Functional>
Validation Method	
Verification Method	<Test>

[REQ Trace]

Relationship	Linked Element Type	Identifier	Compliance
<SATISFIES>	<Enabler>	AERODROME-ATC-03	<Full>
<ALLOCATED_TO>	<Functional block>	Aerodrome Safety Nets	N/A
<ALLOCATED_TO>	<Project>	12.03.02	N/A

[REQ]

Identifier	REQ-12.03.02-TS-2002.0050
Requirement	The SSN server shall trigger an alert (INFORMATION) if 2 mobiles approaching, or on, 2 different converging or intersecting runways have converging trajectories, that would bring them closer than D meters to each other within T1 seconds (D and T1 being configurable parameters).
Title	Arrival aircraft with converging traffic 1
Status	<Validated>
Rationale	This situation can create a disturbance of traffic on ground or affect the safety with regard to the other traffic on the airport surface
Category	<Functional>
Validation Method	
Verification Method	<Test>

[REQ Trace]

Relationship	Linked Element Type	Identifier	Compliance
<SATISFIES>	<Enabler>	AERODROME-ATC-03	<Full>
<ALLOCATED_TO>	<Functional block>	Aerodrome Safety Nets	N/A
<ALLOCATED_TO>	<Project>	12.03.02	N/A

[REQ]

Identifier	REQ-12.03.02-TS-2002.0055
Requirement	The SSN server shall terminate the alert related to arrival aircraft with converging traffic when the trajectories of the two mobiles are no more converging
Title	Arrival aircraft with converging traffic termination
Status	<Validated>
Rationale	When the two mobiles are no more converging, the associated conflicting situation ends.
Category	<Functional>
Validation Method	
Verification Method	<Test>

founding members



Avenue de Cortenbergh 100 | B -1000 Bruxelles
www.sesarju.eu

[REQ Trace]

Relationship	Linked Element Type	Identifier	Compliance
<SATISFIES>	<Enabler>	AERODROME-ATC-03	<Full>
<ALLOCATED_TO>	<Functional block>	Aerodrome Safety Nets	N/A
<ALLOCATED_TO>	<Project>	12.03.02	N/A

[REQ]

Identifier	REQ-12.03.02-TS-2002.0060
Requirement	The SSN server shall trigger an alert (ALARM) if 2 mobiles approaching, or on, 2 different converging or intersecting runways have converging trajectories, that would bring them closer than D meters to each other within T2 seconds (D and T2 being configurable parameters, and T2<T1).
Title	Arrival aircraft with converging traffic 2
Status	<Validated>
Rationale	This situation can create a disturbance of traffic on ground or affect the safety with regard to the other traffic on the airport surface.
Category	<Functional>
Validation Method	
Verification Method	<Test>

[REQ Trace]

Relationship	Linked Element Type	Identifier	Compliance
<SATISFIES>	<Enabler>	AERODROME-ATC-03	<Full>
<ALLOCATED_TO>	<Functional block>	Aerodrome Safety Nets	N/A
<ALLOCATED_TO>	<Project>	12.03.02	N/A

[REQ]

Identifier	REQ-12.03.02-TS-2002.0070
Requirement	The SSN server shall trigger an alert (ALARM) if an aircraft is detected landing, and an opposite direction approaching aircraft with expected time to reach the runway threshold is T (or less).
Title	Opposite direction arrival
Status	<Validated>
Rationale	This situation can affect the safety of the aircraft or with regard to the other traffic on the airport surface.
Category	<Functional>
Validation Method	
Verification Method	<Test>

[REQ Trace]

Relationship	Linked Element Type	Identifier	Compliance
<SATISFIES>	<Enabler>	AERODROME-ATC-03	<Full>
<ALLOCATED_TO>	<Functional block>	Aerodrome Safety Nets	N/A
<ALLOCATED_TO>	<Project>	12.03.02	N/A

[REQ]

Identifier	REQ-12.03.02-TS-2002.0075
Requirement	The SSN server shall terminate the alert related to opposite direction arrival when the trajectories of the two mobiles are no more converging.
Title	Opposite direction arrival termination
Status	<Validated>

Rationale	The runway incursion alert ends when the runway is no more occupied
Category	<Functional>
Validation Method	
Verification Method	<Test>

[REQ Trace]

Relationship	Linked Element Type	Identifier	Compliance
<SATISFIES>	<Enabler>	AERODROME-ATC-03	<Full>
<ALLOCATED_TO>	<Functional block>	Aerodrome Safety Nets	N/A
<ALLOCATED_TO>	<Project>	12.03.02	N/A

[REQ]

Identifier	REQ-12.03.02-TS-2002.0090
Requirement	The SSN server shall trigger an alert (INFORMATION) when an aircraft is detected approaching to a closed runway and its expected time to reach the runway threshold is T (or less) from the runway threshold.
Title	Closed Runway Incursion 1
Status	<Validated>
Rationale	If an aircraft proceeds to a closed runway it can create a disturbance of traffic on ground or a possible risk of collision with another mobile.
Category	<Functional>
Validation Method	
Verification Method	<Test>

[REQ Trace]

Relationship	Linked Element Type	Identifier	Compliance
<SATISFIES>	<Enabler>	AERODROME-ATC-03	<Full>
<ALLOCATED_TO>	<Functional block>	Aerodrome Safety Nets	N/A
<ALLOCATED_TO>	<Project>	12.03.02	N/A

[REQ]

Identifier	REQ-12.03.02-TS-2002.0100
Requirement	The SSN server shall trigger an alert (ALARM) if an aircraft is detected taking off on a closed runway.
Title	Closed Runway Incursion 2
Status	<Validated>
Rationale	This situation can affect the safety with regard to the other traffic on the airport surface.
Category	<Functional>
Validation Method	
Verification Method	<Test>

[REQ Trace]

Relationship	Linked Element Type	Identifier	Compliance
<SATISFIES>	<Enabler>	AERODROME-ATC-03	<Full>
<ALLOCATED_TO>	<Functional block>	Aerodrome Safety Nets	N/A
<ALLOCATED_TO>	<Project>	12.03.02	N/A

[REQ]

Identifier	REQ-12.03.02-TS-2002.0105
Requirement	The SSN server shall terminate the alert related to closed runway when the mobile is no more approaching or taking off or the status of the runway is

	"open".
Title	Closed Runway termination
Status	<Validated>
Rationale	The closed runway alert ends when the conditions are no more valid
Category	<Functional>
Validation Method	
Verification Method	<Test>

[REQ Trace]

Relationship	Linked Element Type	Identifier	Compliance
<SATISFIES>	<Enabler>	AERODROME-ATC-03	<Full>
<ALLOCATED_TO>	<Functional block>	Aerodrome Safety Nets	N/A
<ALLOCATED_TO>	<Project>	12.03.02	N/A

3.1.3 Area Intrusion

The requirements listed in this section do not directly come from operational requirements of P06.07.01, because they are considered as Baseline (previous of SESAR). Anyhow, project 12.3.2 prefers to include them for completeness of definition of SSN server.

The requirements are not traced to any SESAR operational requirement.

[REQ]

Identifier	REQ-12.03.02-TS-2003.0010
Requirement	The SSN server shall trigger an alert if it detects penetration by any tracked target (any mobile) into an area defined as a Restricted Area.
Title	Monitoring of Restricted Areas
Status	<Validated>
Rationale	If a mobile enters a Restricted Area it may collide with an obstacle or disturb radio navigation aids.
Category	<Functional>
Validation Method	
Verification Method	<Test>

[REQ Trace]

Relationship	Linked Element Type	Identifier	Compliance
<SATISFIES>	<Enabler>	AERODROME-ATC-03	<Full>
<ALLOCATED_TO>	<Functional block>	Aerodrome Safety Nets	N/A
<ALLOCATED_TO>	<Project>	12.03.02	N/A

[REQ]

Identifier	REQ-12.03.02-TS-2003.0015
Requirement	The SSN server shall terminate the restricted area alert when the mobile leaves the area.
Title	Restricted Area termination
Status	<Validated>
Rationale	The alerts have to be terminated when the conditions are no more valid.
Category	<Functional>
Validation Method	
Verification Method	<Test>

[REQ Trace]

Relationship	Linked Element Type	Identifier	Compliance
<SATISFIES>	<Enabler>	AERODROME-ATC-03	<Full>
<ALLOCATED_TO>	<Functional block>	Aerodrome Safety Nets	N/A
<ALLOCATED_TO>	<Project>	12.03.02	N/A

[REQ]

Identifier	REQ-12.03.02-TS-2003.0020
Requirement	The SSN server shall permit to configure (via a configuration database) each Restricted Area with at least the following information: <ul style="list-style-type: none"> • Geographical locations (defining the area size and shape) and the name of the Restricted Area • Visibility criterion: LVP/non-LVP • Restricted Area Alert severity: information or alarm
Title	Restricted Area configuration
Status	<Validated>
Rationale	The alerting rule needs to be adaptable according to prevailing conditions and local procedures.
Category	<Functional>
Validation Method	
Verification Method	<Test>

[REQ Trace]

Relationship	Linked Element Type	Identifier	Compliance
<SATISFIES>	<Enabler>	AERODROME-ATC-03	<Full>
<ALLOCATED_TO>	<Functional block>	Aerodrome Safety Nets	N/A
<ALLOCATED_TO>	<Project>	12.03.02	N/A

[REQ]

Identifier	REQ-12.03.02-TS-2003.0030
Requirement	The SSN server shall trigger an alert if it detects penetration by any tracked target (any mobile) that is not authorised to enter into an area defined as a Limited Access Area. Mobile types shall be checked against the allowed access criteria for the Limited Access Area.
Title	Monitoring of Limited Access Areas
Status	<Validated>
Rationale	If a mobile enters a Limited Access Area it may collide with an obstacle or disturb landing systems.
Category	<Functional>
Validation Method	
Verification Method	<Test>

[REQ Trace]

Relationship	Linked Element Type	Identifier	Compliance
<SATISFIES>	<Enabler>	AERODROME-ATC-03	<Full>
<ALLOCATED_TO>	<Functional block>	Aerodrome Safety Nets	N/A
<ALLOCATED_TO>	<Project>	12.03.02	N/A

[REQ]

Identifier	REQ-12.03.02-TS-2003.0035
Requirement	The SSN server shall terminate the limited area alert when the mobile leaves the area.

Title	Limited Area termination
Status	<Validated>
Rationale	The alerts have to be terminated when the conditions are no more valid.
Category	<Functional>
Validation Method	
Verification Method	<Test>

[REQ Trace]

Relationship	Linked Element Type	Identifier	Compliance
<SATISFIES>	<Enabler>	AERODROME-ATC-03	<Full>
<ALLOCATED_TO>	<Functional block>	Aerodrome Safety Nets	N/A
<ALLOCATED_TO>	<Project>	12.03.02	N/A

[REQ]

Identifier	REQ-12.03.02-TS-2003.0040
Requirement	The SSN server shall permit to configure (via a configuration database) each Limited Access Area with at least the following information: <ul style="list-style-type: none"> The geographical locations (defining the area size and shape) and the name of the Limited Access Area Visibility criterion: LVP/non-LVP Authorised mobile type(s) Authorised entry point(s) The Limited Access Area Alert severity: Stage 1 (INFORMATION) or Stage 2 (ALARM).
Title	Limited Access Area configuration
Status	<Validated>
Rationale	The alerting rule needs to be adaptable according to prevailing conditions and local procedures.
Category	<Functional>
Validation Method	
Verification Method	<Test>

[REQ Trace]

Relationship	Linked Element Type	Identifier	Compliance
<SATISFIES>	<Enabler>	AERODROME-ATC-03	<Full>
<ALLOCATED_TO>	<Functional block>	Aerodrome Safety Nets	N/A
<ALLOCATED_TO>	<Project>	12.03.02	N/A

3.1.4 Conformance Monitoring Requirements

[REQ]

Identifier	REQ-12.03.02-TS-2002.0010
Requirement	The SSN server shall trigger an alert (ALARM) if a mobile is detected crossing a red stop bar (wherever the location of the stop bar is).
Title	Red stop bar
Status	<Validated>
Rationale	If a mobile crosses a red stop bar, it can create a possible risk of collision with another mobile.
Category	<Functional>
Validation Method	
Verification Method	<Test>

[REQ Trace]

founding members



Avenue de Cortenbergh 100 | B -1000 Bruxelles
www.sesarju.eu

Relationship	Linked Element Type	Identifier	Compliance
<SATISFIES>	<Enabler>	AERODROME-ATC-07	<Full>
<SATISFIES>	<ATMS Requirement>	REQ-06.07.01-OSED-CMAC.0012	<Full>
<SATISFIES>	<ATMS Requirement>	REQ-06.07.01-SPR-CMAC.0041	<Full>
<ALLOCATED_TO>	<Functional block>	Conformance Monitoring	N/A
<APPLIES_TO>	<Operational Focus Area>	OFA01.02.01	N/A
<ALLOCATED_TO>	<Project>	12.03.02	N/A

[REQ]

Identifier	REQ-12.03.02-TS-2004.0010
Requirement	The SSN server shall generate an alert if an aircraft is approaching to land on a runway and is less than D meters from the runway threshold without having received a Landing clearance (D being a configurable parameter).
Title	No Landing Clearance
Status	<Validated>
Rationale	Inform that an aircraft is landing without authorisation.
Category	<Functional>
Validation Method	
Verification Method	<Test>

[REQ Trace]

Relationship	Linked Element Type	Identifier	Compliance
<SATISFIES>	<Enabler>	AERODROME-ATC-07	<Full>
<SATISFIES>	<ATMS Requirement>	REQ-06.07.01-OSED-CMAC.0010	<Full>
<SATISFIES>	<ATMS Requirement>	REQ-06.07.01-SPR-CMAC.0052	<Full>
<ALLOCATED_TO>	<Functional block>	Conformance Monitoring	N/A
<APPLIES_TO>	<Operational Focus Area>	OFA01.02.01	N/A
<ALLOCATED_TO>	<Project>	12.03.02	N/A

[REQ]

Identifier	REQ-12.03.02-TS-2004.0020
Requirement	The SSN server shall trigger an alert if an aircraft is moving from its stand without having received a Push-back clearance. NOTE: This only applies for aircraft on stands that require push-back, otherwise REQ-12.03.02-TS-2004.0035 applies.
Title	No Push-back clearance
Status	<Validated>
Rationale	Inform that an aircraft is pushing back without authorisation.
Category	<Functional>
Validation Method	
Verification Method	<Test>

[REQ Trace]

Relationship	Linked Element Type	Identifier	Compliance
<SATISFIES>	<Enabler>	AERODROME-ATC-07	<Full>
<SATISFIES>	<ATMS Requirement>	REQ-06.07.01-OSED-CMAC.0002	<Full>
<SATISFIES>	<ATMS Requirement>	REQ-06.07.01-SPR-CMAC.0016	<Full>
<ALLOCATED_TO>	<Functional block>	Conformance Monitoring	N/A
<APPLIES_TO>	<Operational Focus Area>	OFA01.02.01	N/A
<ALLOCATED_TO>	<Project>	12.03.02	N/A

[REQ]

Identifier	REQ-12.03.02-TS-2004.0035
Requirement	The SSN server shall trigger an alert if a mobile is moving inside a taxiway

	without having received a Taxi clearance.
Title	No Taxi clearance
Status	<Validated>
Rationale	Inform that a mobile is taxiing without authorisation. The requirement in itself is considered validated, but the operational project 06.07.01 should clarify the behaviour in case of allowed movements inside a taxiway without taxi clearance (e.g. when the aircraft vacates the runway after landing). A possible solution is to configure several taxi areas of exclusion of "no taxi clearance" alert. In addition is not very clear whether the alert should terminate when the mobile stops moving or should continue to be raised. Operational experts should clarify it.
Category	<Functional>
Validation Method	
Verification Method	<Test>

[REQ Trace]

Relationship	Linked Element Type	Identifier	Compliance
<SATISFIES>	<Enabler>	AERODROME-ATC-07	<Full>
<SATISFIES>	<ATMS Requirement>	REQ-06.07.01-OSED-CMAC.0003	<Full>
<SATISFIES>	<ATMS Requirement>	REQ-06.07.01-SPR-CMAC.0017	<Full>
<SATISFIES>	<ATMS Requirement>	REQ-06.07.01-SPR-CMAC.0021	<Full>
<SATISFIES>	<ATMS Requirement>	REQ-06.07.01-SPR-CMAC.0023	<Full>
<SATISFIES>	<ATMS Requirement>	REQ-06.07.01-SPR-CMAC.0054	<Partial>
<ALLOCATED_TO>	<Functional block>	Conformance Monitoring	N/A
<APPLIES_TO>	<Operational Focus Area>	OFA01.02.01	N/A
<ALLOCATED_TO>	<Project>	12.03.02	N/A

[REQ]

Identifier	REQ-12.03.02-TS-2004.0042
Requirement	The SSN server shall trigger an alert (ALARM) if an aircraft is detected lining-up on a runway without having received a line-up clearance.
Title	No Line-up clearance
Status	<Validated>
Rationale	Inform that an aircraft is entering the Runway Protection Volume without authorisation. The requirement in itself is considered validated. However it is ambiguous whether the alert should terminate when the mobile stops moving, or whether the alert should continue to be raised in this case. Operational experts should clarify it.
Category	<Functional>
Validation Method	
Verification Method	<Test>

[REQ Trace]

Relationship	Linked Element Type	Identifier	Compliance
<SATISFIES>	<Enabler>	AERODROME-ATC-07	<Full>
<SATISFIES>	<ATMS Requirement>	REQ-06.07.01-SPR-CMAC.0038	<Full>
<SATISFIES>	<ATMS Requirement>	REQ-06.07.01-SPR-CMAC.0049	<Full>
<SATISFIES>	<ATMS Requirement>	REQ-06.07.01-OSED-CMAC.0008	<Full>
<SATISFIES>	<ATMS Requirement>	REQ-06.07.01-OSED-CMAC.0006	<Full>
<SATISFIES>	<ATMS Requirement>	REQ-06.07.01-SPR-CMAC.0039	<Full>
<ALLOCATED_TO>	<Functional block>	Conformance Monitoring	N/A
<APPLIES_TO>	<Operational Focus Area>	OFA01.02.01	N/A
<ALLOCATED_TO>	<Project>	12.03.02	N/A

[REQ]

Identifier	REQ-12.03.02-TS-2004.0044
Requirement	The SSN server shall trigger an alert if a mobile is detected crossing a runway without having received a cross clearance.
Title	No Cross clearance
Status	<Validated>
Rationale	Inform that a mobile is entering the Runway Protection Volume without authorisation. The requirement in itself is considered validated. However it is ambiguous whether the alert should terminate when the mobile stops moving, or whether the alert should continue to be raised in this case. Operational experts should clarify it.
Category	<Functional>
Validation Method	
Verification Method	<Test>

[REQ Trace]

Relationship	Linked Element Type	Identifier	Compliance
<SATISFIES>	<Enabler>	AERODROME-ATC-07	<Full>
<SATISFIES>	<ATMS Requirement>	REQ-06.07.01-SPR-CMAC.0038	<Full>
<SATISFIES>	<ATMS Requirement>	REQ-06.07.01-SPR-CMAC.0039	<Full>
<ALLOCATED TO>	<Functional block>	Conformance Monitoring	N/A
<APPLIES TO>	<Operational Focus Area>	OFA01.02.01	N/A
<ALLOCATED TO>	<Project>	12.03.02	N/A

[REQ]

Identifier	REQ-12.03.02-TS-2004.0046
Requirement	The SSN server shall trigger an alert if a vehicle is detected entering a RPV without having received an enter clearance.
Title	No Enter clearance
Status	<Validated>
Rationale	Inform that a mobile is entering the Runway Protection Volume without authorisation. The requirement in itself is considered validated. However it is ambiguous whether the alert should terminate when the mobile stops moving, or whether the alert should continue to be raised in this case. Operational experts should clarify it.
Category	<Functional>
Validation Method	
Verification Method	<Test>

[REQ Trace]

Relationship	Linked Element Type	Identifier	Compliance
<SATISFIES>	<Enabler>	AERODROME-ATC-07	<Full>
<SATISFIES>	<ATMS Requirement>	REQ-06.07.01-SPR-CMAC.0038	<Full>
<SATISFIES>	<ATMS Requirement>	REQ-06.07.01-OSD-CMAC.0008	<Full>
<SATISFIES>	<ATMS Requirement>	REQ-06.07.01-SPR-CMAC.0039	<Full>
<ALLOCATED_TO>	<Functional block>	Conformance Monitoring	N/A
<APPLIES TO>	<Operational Focus Area>	OFA01.02.01	N/A
<ALLOCATED_TO>	<Project>	12.03.02	N/A

[REQ]

Identifier	REQ-12.03.02-TS-2004.0050
Requirement	The SSN server shall generate an alert, if an aircraft is taking off without having received a Take-Off clearance.
Title	No Take-off Clearance

Status	<Validated>
Rationale	Inform that an aircraft is taking-off without authorisation. The requirement in itself is considered validated. However it is ambiguous whether the alert should terminate when the mobile stops moving, or whether the alert should continue to be raised in this case. Operational experts should clarify it.
Category	<Functional>
Validation Method	
Verification Method	<Test>

[REQ Trace]

Relationship	Linked Element Type	Identifier	Compliance
<SATISFIES>	<Enabler>	AERODROME-ATC-07	<Full>
<SATISFIES>	<ATMS Requirement>	REQ-06.07.01-OSED-CMAC.0009	<Full>
<SATISFIES>	<ATMS Requirement>	REQ-06.07.01-SPR-CMAC.0051	<Full>
<ALLOCATED_TO>	<Functional block>	Conformance Monitoring	N/A
<APPLIES_TO>	<Operational Focus Area>	OFA01.02.01	N/A
<ALLOCATED_TO>	<Project>	12.03.02	N/A

[REQ]

Identifier	REQ-12.03.02-TS-2004.0060
Requirement	The SSN server shall generate an alert if an aircraft is detected as approaching to land on a runway that is not the assigned one (the one contained in relevant flight plan), and is less T seconds from the runway threshold (T being a configurable parameter).
Title	Landing on wrong runway
Status	<Validated>
Rationale	Inform that an aircraft is aligned to land on the wrong runway.
Category	<Functional>
Validation Method	
Verification Method	<Test>

[REQ Trace]

Relationship	Linked Element Type	Identifier	Compliance
<SATISFIES>	<Enabler>	AERODROME-ATC-07	<Full>
<SATISFIES>	<ATMS Requirement>	REQ-06.07.01-OSED-CMAC.0024	<Full>
<SATISFIES>	<ATMS Requirement>	REQ-06.07.01-SPR-CMAC.0056	<Full>
<ALLOCATED_TO>	<Functional block>	Conformance Monitoring	N/A
<APPLIES_TO>	<Operational Focus Area>	OFA01.02.01	N/A
<ALLOCATED_TO>	<Project>	12.03.02	N/A

[REQ]

Identifier	REQ-12.03.02-TS-2004.0070
Requirement	The SSN server shall trigger an alert if an aircraft is cleared to line up but the aircraft is lining-up on a runway that differs from the assigned one.
Title	Lining-up on wrong runway
Status	<Validated>
Rationale	Inform that an aircraft is lining-up on a wrong runway.
Category	<Functional>
Validation Method	
Verification Method	<Test>

[REQ Trace]

Relationship	Linked Element Type	Identifier	Compliance
<SATISFIES>	<Enabler>	AERODROME-ATC-07	<Full>

<SATISFIES>	<ATMS Requirement>	REQ-06.07.01-OSED-CMAC.0011	<Full>
<SATISFIES>	<ATMS Requirement>	REQ-06.07.01-SPR-CMAC.0045	<Full>
<ALLOCATED_TO>	<Functional block>	Conformance Monitoring	N/A
<APPLIES_TO>	<Operational Focus Area>	OFA01.02.01	N/A
<ALLOCATED_TO>	<Project>	12.03.02	N/A

[REQ]

Identifier	REQ-12.03.02-TS-2004.0105
Requirement	The SSN server shall trigger an alert when a closed runway has been assigned to an aircraft and the aircraft has not yet entered the runway.
Title	Closed Runway Assigned
Status	<Validated>
Rationale	Inform that a closed runway is assigned to an aircraft. This requirement is considered "validated" but it could lead to a nuisance alert because if there is a planned change of runway direction at some point in the future, it should be quite normal for the new runway direction to already be assigned to some aircraft, even though it is still closed at the current time. It also quite normal that a runway is closed for a short time (e.g. for inspection or snow clearing) A possible solution could be to specify a time parameter so that the alert is only raised if the aircraft is less than x seconds (or distance parameter) from entering the RPV, to decrease nuisance alert. Operational experts should clarify the operational requirement.
Category	<Functional>
Validation Method	
Verification Method	<Test>

[REQ Trace]

Relationship	Linked Element Type	Identifier	Compliance
<SATISFIES>	<Enabler>	AERODROME-ATC-07	<Full>
<SATISFIES>	<ATMS Requirement>	REQ-06.07.01-OSED-CMAC.0016	<Partial>
<SATISFIES>	<ATMS Requirement>	REQ-06.07.01-SPR-CMAC.0043	<Partial>
<ALLOCATED_TO>	<Functional block>	Conformance Monitoring	N/A
<APPLIES_TO>	<Operational Focus Area>	OFA01.02.01	N/A
<ALLOCATED_TO>	<Project>	12.03.02	N/A

[REQ]

Identifier	REQ-12.03.02-TS-2004.0110
Requirement	The SSN server shall trigger an alert when a taxiway is closed after it has been assigned to an aircraft as part of its cleared route and the aircraft has not yet entered the taxiway.
Title	Closed Taxiway
Status	<Validated>
Rationale	Inform that a closed taxiway is assigned to an aircraft.
Category	<Functional>
Validation Method	
Verification Method	<Test>

[REQ Trace]

Relationship	Linked Element Type	Identifier	Compliance
<SATISFIES>	<Enabler>	AERODROME-ATC-07	<Full>
<SATISFIES>	<ATMS Requirement>	REQ-06.07.01-OSED-CMAC.0015	<Full>
<ALLOCATED_TO>	<Functional block>	Conformance Monitoring	N/A
<APPLIES_TO>	<Operational Focus Area>	OFA01.02.01	N/A
<ALLOCATED_TO>	<Project>	12.03.02	N/A

[REQ]

Identifier	REQ-12.03.02-TS-2004.0120
Requirement	The SSN server shall trigger an alert for an arriving aircraft, when there has been no "Contact indication", and the arriving aircraft is at less than D1 meters from threshold. Note: D1 should be configurable, depending upon optimisation at the aerodrome.
Title	No Contact
Status	<Validated>
Rationale	Inform that an aircraft is about to land without having established contact with the Tower controller.
Category	<Functional>
Validation Method	
Verification Method	<Test>

[REQ Trace]

Relationship	Linked Element Type	Identifier	Compliance
<SATISFIES>	<Enabler>	AERODROME-ATC-07	<Full>
<SATISFIES>	<ATMS Requirement>	REQ-06.07.01-OSED-CMAC.0005	<Full>
<ALLOCATED_TO>	<Functional block>	Conformance Monitoring	N/A
<APPLIES TO>	<Operational Focus Area>	OFA01.02.01	N/A
<ALLOCATED TO>	<Project>	12.03.02	N/A

[REQ]

Identifier	REQ-12.03.02-TS-2004.0125
Requirement	The SSN server shall trigger an alert for a departure aircraft, when there has been no "transfer of control indication", and the departing aircraft is more than X NM from runway or more than a configurable altitude. Note: X should be configurable, depending upon optimisation at the aerodrome.
Title	No transfer out
Status	<Validated>
Rationale	Inform the Tower Runway Controller that an aircraft has departed and has not received the instruction to change to the next frequency within a certain distance or altitude.
Category	<Functional>
Validation Method	
Verification Method	<Test>

[REQ Trace]

Relationship	Linked Element Type	Identifier	Compliance
<SATISFIES>	<Enabler>	AERODROME-ATC-07	<Full>
<SATISFIES>	<ATMS Requirement>	REQ-06.07.01-OSED-CMAC.0028	<Full>
<ALLOCATED_TO>	<Functional block>	Conformance Monitoring	N/A
<APPLIES TO>	<Operational Focus Area>	OFA01.02.01	N/A
<ALLOCATED TO>	<Project>	12.03.02	N/A

[REQ]

Identifier	REQ-12.03.02-TS-2004.0130
Requirement	The SSN server shall trigger an alert when an excessive speed of an aircraft in taxi phase is detected (speed > X). Note: X value shall be configurable.

Title	Excessive Taxi Speed
Status	<Validated>
Rationale	Inform that an aircraft is taxiing too fast on a taxiway.
Category	<Functional>
Validation Method	
Verification Method	<Test>

[REQ Trace]

Relationship	Linked Element Type	Identifier	Compliance
<SATISFIES>	<Enabler>	AERODROME-ATC-07	<Full>
<SATISFIES>	<ATMS Requirement>	REQ-06.07.01-OSED-CMAC.0017	<Full>
<SATISFIES>	<ATMS Requirement>	REQ-06.07.01-SPR-CMAC.0024	<Full>
<ALLOCATED_TO>	<Functional block>	Conformance Monitoring	N/A
<APPLIES TO>	<Operational Focus Area>	OFA01.02.01	N/A
<ALLOCATED_TO>	<Project>	12.03.02	N/A

[REQ]

Identifier	REQ-12.03.02-TS-2004.0145
Requirement	The SSN server shall trigger an alert as soon as a mobile has deviated by x or more metres (configurable parameter) horizontally from its cleared taxi route.
Title	Taxi Route Deviation
Status	<Validated>
Rationale	Inform that a mobile is deviating from its cleared taxi route. If the mobile goes beyond its clearance limit, this alert will not be triggered.
Category	<Functional>
Validation Method	
Verification Method	<Test>

[REQ Trace]

Relationship	Linked Element Type	Identifier	Compliance
<SATISFIES>	<Enabler>	AERODROME-ATC-07	<Full>
<SATISFIES>	<ATMS Requirement>	REQ-06.07.01-OSED-CMAC.0001	<Full>
<SATISFIES>	<ATMS Requirement>	REQ-06.07.01-SPR-CMAC.0018	<Full>
<SATISFIES>	<ATMS Requirement>	REQ-06.07.01-SPR-CMAC.0020	<Full>
<SATISFIES>	<ATMS Requirement>	REQ-06.07.01-SPR-CMAC.0026	<Full>
<SATISFIES>	<ATMS Requirement>	REQ-06.07.01-SPR-CMAC.0046	<Full>
<SATISFIES>	<ATMS Requirement>	REQ-06.07.01-SPR-CMAC.0047	<Full>
<SATISFIES>	<ATMS Requirement>	REQ-06.07.01-SPR-CMAC.0048	<Full>
<ALLOCATED_TO>	<Functional block>	Aerodrome Safety Nets	N/A
<ALLOCATED_TO>	<Functional block>	Conformance Monitoring	N/A
<APPLIES TO>	<Operational Focus Area>	OFA01.02.01	N/A
<ALLOCATED_TO>	<Project>	12.03.02	N/A

[REQ]

Identifier	REQ-12.03.02-TS-2004.0160
Requirement	The SSN server shall trigger an alert when a mobile does not move after X seconds (configurable parameter), having received an instruction to push-back, taxi, line-up, cross, enter or take-off.
Title	Stationary after clearance
Status	<Validated>
Rationale	Inform that a mobile is stationary after having received an instruction to proceed.
Category	<Functional>
Validation Method	
Verification Method	<Test>

[REQ Trace]

Relationship	Linked Element Type	Identifier	Compliance
<SATISFIES>	<Enabler>	AERODROME-ATC-07	<Full>
<SATISFIES>	<ATMS Requirement>	REQ-06.07.01-OSED-CMAC.0004	<Full>
<SATISFIES>	<ATMS Requirement>	REQ-06.07.01-SPR-CMAC.0027	<Full>
<SATISFIES>	<ATMS Requirement>	REQ-06.07.01-SPR-CMAC.0050	<Full>
<ALLOCATED_TO>	<Functional block>	Conformance Monitoring	N/A
<APPLIES_TO>	<Operational Focus Area>	OFA01.02.01	N/A
<ALLOCATED_TO>	<Project>	12.03.02	N/A

[REQ]

Identifier	REQ-12.03.02-TS-2004.0180
Requirement	The SSN server shall trigger an Alert Report when a mobile that has vacated a runway has stopped within the runway protection volume for more than T seconds (parameter).
Title	Stationary in RPV alert
Status	<Validated>
Rationale	The Controller requires immediate awareness for a stationary situation in proximity of runway area.
Category	<Functional>
Validation Method	
Verification Method	<Test>

[REQ Trace]

Relationship	Linked Element Type	Identifier	Compliance
<SATISFIES>	<Enabler>	AERODROME-ATC-07	<Full>
<SATISFIES>	<ATMS Requirement>	REQ-06.07.01-OSED-CMAC.0029	<Full>
<ALLOCATED_TO>	<Functional block>	Conformance Monitoring	N/A
<APPLIES_TO>	<Operational Focus Area>	OFA01.02.01	N/A
<ALLOCATED_TO>	<Project>	12.03.02	N/A

[REQ]

Identifier	REQ-12.03.02-TS-2004.0195
Requirement	The SSN server shall trigger an alert when an aircraft doesn't receive a take-off clearance after x seconds (parameter) having received the line-up clearance.
Title	Delayed take-off clearance
Status	<Validated>
Rationale	Remind the controller to giving the take-off clearance to an aircraft on the runway
Category	<Functional>
Validation Method	
Verification Method	<Test>

[REQ Trace]

Relationship	Linked Element Type	Identifier	Compliance
<SATISFIES>	<Enabler>	AERODROME-ATC-07	<Full>
<SATISFIES>	<ATMS Requirement>	REQ-06.07.01-OSED-CMAC.0071	<Full>
<ALLOCATED_TO>	<Functional block>	Conformance Monitoring	N/A
<APPLIES_TO>	<Operational Focus Area>	OFA01.02.01	N/A
<ALLOCATED_TO>	<Project>	12.03.02	N/A

[REQ]

founding members



Avenue de Cortenbergh 100 | B -1000 Bruxelles
www.sesarju.eu

Identifier	REQ-12.03.02-TS-2004.0200
Requirement	The SSN server shall trigger an alert whenever the longitudinal separation between two aircraft on a TWY in LVC is less than X metres (parameter).
Title	TWY separation infringement in LVC
Status	<Deleted>
Rationale	Inform that two aircraft are too close longitudinally during taxiing operations in LVC. This requirement is considered as "deleted" because the last SPR from OFA01.02.01 does not include this kind of requirement.
Category	<Functional>
Validation Method	
Verification Method	<Test>

[REQ Trace]

Relationship	Linked Element Type	Identifier	Compliance
<SATISFIES>	<Enabler>	AERODROME-ATC-07	<Full>
<SATISFIES>	<ATMS Requirement>	REQ-06.07.01-SPR-CMAC.0025	<Partial>
<ALLOCATED_TO>	<Functional block>	Conformance Monitoring	N/A
<APPLIES_TO>	<Operational Focus Area>	OFA01.02.01	N/A
<ALLOCATED_TO>	<Project>	12.03.02	N/A

[REQ]

Identifier	REQ-12.03.02-TS-2004.0230
Requirement	The SSN server shall trigger an alert when an unsuitable taxiway has been assigned to an aircraft as part of its cleared route and the aircraft has not yet entered the taxiway.
Title	Unsuitable Taxiway on Taxi route
Status	<Validated>
Rationale	Inform the controller that his/her clearance is not compliant with the aircraft
Category	<Functional>
Validation Method	
Verification Method	<Test>

[REQ Trace]

Relationship	Linked Element Type	Identifier	Compliance
<SATISFIES>	<Enabler>	AERODROME-ATC-07	<Full>
<SATISFIES>	<ATMS Requirement>	REQ-06.07.01-OSED-CMAC.0013	<Full>
<SATISFIES>	<ATMS Requirement>	REQ-06.07.01-SPR-CMAC.0028	<Full>
<ALLOCATED_TO>	<Functional block>	Conformance Monitoring	N/A
<APPLIES_TO>	<Operational Focus Area>	OFA01.02.01	N/A
<ALLOCATED_TO>	<Project>	12.03.02	N/A

[REQ]

Identifier	REQ-12.03.02-TS-2004.0240
Requirement	The SSN server shall trigger an alert when an unsuitable runway has been assigned to an aircraft and the aircraft has not yet entered the runway.
Title	Unsuitable Runway Assigned
Status	<Validated>
Rationale	Inform the controller that his/her clearance is not compliant with the aircraft
Category	<Functional>
Validation Method	
Verification Method	<Test>

[REQ Trace]

Relationship	Linked Element Type	Identifier	Compliance
<SATISFIES>	<Enabler>	AERODROME-ATC-07	<Full>

<SATISFIES>	<ATMS Requirement>	REQ-06.07.01-OSED-CMAC.0014	<Full>
<SATISFIES>	<ATMS Requirement>	REQ-06.07.01-SPR-CMAC.0057	<Full>
<ALLOCATED_TO>	<Functional block>	Conformance Monitoring	N/A
<APPLIES_TO>	<Operational Focus Area>	OFA01.02.01	N/A
<ALLOCATED_TO>	<Project>	12.03.02	N/A

3.1.5 Conflicting ATC Clearances Requirements

Note: In the requirements for Conflicting ATC Clearances (CATC) where there is reference to Line Up this refers to a direct Line Up instruction and does not take into account Conditional Line Up inputs.

[REQ]

Identifier	REQ-12.03.02-TS-2005.0010
Requirement	The SSN server shall trigger an alert when an aircraft is cleared to line up and another aircraft is cleared to line up on the same runway on the opposite threshold.
Title	"Line-Up vs. Line-Up" opposite threshold
Status	<Validated>
Rationale	If an aircraft is cleared to line up, the SSN server should detect if this clearance can create a risk of collision between aircraft.
Category	<Functional>
Validation Method	
Verification Method	<Test>

[REQ Trace]

Relationship	Linked Element Type	Identifier	Compliance
<SATISFIES>	<Enabler>	AERODROME-ATC-06	<Full>
<SATISFIES>	<ATMS Requirement>	REQ-06.07.01-OSED-CATC.0002	<Full>
<ALLOCATED_TO>	<Functional block>	Conformance Monitoring	N/A
<APPLIES_TO>	<Operational Focus Area>	OFA01.02.01	N/A
<ALLOCATED_TO>	<Project>	12.03.02	N/A

[REQ]

Identifier	REQ-12.03.02-TS-2005.0020
Requirement	The SSN server shall trigger an alert when an aircraft is cleared to line up and another aircraft is cleared to line up on the same runway and their holding points are opposing.
Title	"Line-Up vs. Line-Up" opposing holds
Status	<Validated>
Rationale	If an aircraft is cleared to line-up, the SSN server should detect if this clearance can create a risk of collision between aircraft.
Category	<Functional>
Validation Method	
Verification Method	<Test>

[REQ Trace]

Relationship	Linked Element Type	Identifier	Compliance
<SATISFIES>	<Enabler>	AERODROME-ATC-06	<Full>
<SATISFIES>	<ATMS Requirement>	REQ-06.07.01-OSED-CATC.0003	<Full>
<ALLOCATED_TO>	<Functional block>	Conformance Monitoring	N/A
<APPLIES_TO>	<Operational Focus Area>	OFA01.02.01	N/A
<ALLOCATED_TO>	<Project>	12.03.02	N/A

[REQ]

Identifier	REQ-12.03.02-TS-2005.0030
Requirement	The SSN server shall trigger an alert when an aircraft is cleared to line up and another aircraft is cleared to line up on the same runway and their holding points are the same or neighbouring, and multiple line ups are not permitted.
Title	"Line-Up vs. Line-Up" same or neighbouring hold
Status	<Validated>
Rationale	If an aircraft is cleared to line-up, the SSN server should detect if this clearance can create a risk of collision between aircraft.
Category	<Functional>
Validation Method	
Verification Method	<Test>

[REQ Trace]

Relationship	Linked Element Type	Identifier	Compliance
<SATISFIES>	<Enabler>	AERODROME-ATC-06	<Full>
<SATISFIES>	<ATMS Requirement>	REQ-06.07.01-OSED-CATC.0001	<Full>
<ALLOCATED_TO>	<Functional block>	Conformance Monitoring	N/A
<APPLIES_TO>	<Operational Focus Area>	OFA01.02.01	N/A
<ALLOCATED_TO>	<Project>	12.03.02	N/A

[REQ]

Identifier	REQ-12.03.02-TS-2005.0040
Requirement	The SSN server shall trigger an alert when an aircraft is cleared to line up and another mobile is cleared to cross the same runway and holding points are opposite each other.
Title	"Line-Up vs. Cross" opposing holds
Status	<Validated>
Rationale	If an aircraft is cleared to cross a runway, the SSN server should detect if this clearance can create a risk of collision with another mobile.
Category	<Functional>
Validation Method	
Verification Method	<Test>

[REQ Trace]

Relationship	Linked Element Type	Identifier	Compliance
<SATISFIES>	<Enabler>	AERODROME-ATC-06	<Full>
<SATISFIES>	<ATMS Requirement>	REQ-06.07.01-OSED-CATC.0004	<Full>
<ALLOCATED_TO>	<Functional block>	Conformance Monitoring	N/A
<APPLIES_TO>	<Operational Focus Area>	OFA01.02.01	N/A
<ALLOCATED_TO>	<Project>	12.03.02	N/A

[REQ]

Identifier	REQ-12.03.02-TS-2005.0050
Requirement	The SSN server shall trigger an alert when an aircraft is cleared to line up and another mobile is cleared to enter the same runway and holding points are opposite each other.
Title	"Line-Up vs. Enter" opposing holds
Status	<Validated>
Rationale	If an aircraft is cleared to enter on a runway, the SSN server should detect if this clearance can create a risk of collision with another mobile.
Category	<Functional>

Validation Method	
Verification Method	<Test>

[REQ Trace]

Relationship	Linked Element Type	Identifier	Compliance
<SATISFIES>	<Enabler>	AERODROME-ATC-06	<Full>
<SATISFIES>	<ATMS Requirement>	REQ-06.07.01-OSED-CATC.0005	<Full>
<ALLOCATED_TO>	<Functional block>	Conformance Monitoring	N/A
<APPLIES_TO>	<Operational Focus Area>	OFA01.02.01	N/A
<ALLOCATED_TO>	<Project>	12.03.02	N/A

[REQ]

Identifier	REQ-12.03.02-TS-2005.0055
Requirement	The SSN server shall stop the “Line-up vs. enter” at opposite holding points alert when the mobile having received the enter clearance enters the runway and goes in front of the aircraft.
Title	“Line-up vs. enter” opposite holding points end of conflict
Status	<Validated>
Rationale	If an aircraft is cleared to enter on a runway, the SSN server should detect if this clearance can create a risk of collision with another mobile.
Category	<Functional>
Validation Method	
Verification Method	<Test>

[REQ Trace]

Relationship	Linked Element Type	Identifier	Compliance
<SATISFIES>	<Enabler>	AERODROME-ATC-06	<Full>
<SATISFIES>	<ATMS Requirement>	REQ-06.07.01-OSED-CATC.0005	<Full>
<ALLOCATED_TO>	<Functional block>	Conformance Monitoring	N/A
<APPLIES_TO>	<Operational Focus Area>	OFA01.02.01	N/A
<ALLOCATED_TO>	<Project>	12.03.02	N/A

[REQ]

Identifier	REQ-12.03.02-TS-2005.0060
Requirement	The SSN server shall trigger an alert when an aircraft is cleared to line up and another aircraft is cleared to take-off and the cleared runway entry point for the aircraft receiving the line-up clearance is in front of the aircraft receiving the take-off clearance on the same runway.
Title	“Line-Up vs. Take-Off” Take-off behind Line-up
Status	<Validated>
Rationale	If an aircraft is cleared to take-off, the SSN server should detect if this clearance can create a risk of collision between aircraft.
Category	<Functional>
Validation Method	
Verification Method	<Test>

[REQ Trace]

Relationship	Linked Element Type	Identifier	Compliance
<SATISFIES>	<Enabler>	AERODROME-ATC-06	<Full>
<SATISFIES>	<ATMS Requirement>	REQ-06.07.01-OSED-CATC.0006	<Full>
<ALLOCATED_TO>	<Functional block>	Conformance Monitoring	N/A
<APPLIES_TO>	<Operational Focus Area>	OFA01.02.01	N/A
<ALLOCATED_TO>	<Project>	12.03.02	N/A

[REQ]

Identifier	REQ-12.03.02-TS-2005.0070
Requirement	The SSN server shall trigger an alert when an aircraft is cleared to line up and another aircraft is cleared to take-off from the opposite threshold of the same runway.
Title	"Line-Up vs. Take-Off" opposite threshold
Status	<Validated>
Rationale	If an aircraft is cleared to take-off, the SSN server should detect if this clearance can create a risk of collision between aircraft.
Category	<Functional>
Validation Method	
Verification Method	<Test>

[REQ Trace]

Relationship	Linked Element Type	Identifier	Compliance
<SATISFIES>	<Enabler>	AERODROME-ATC-06	<Full>
<SATISFIES>	<ATMS Requirement>	REQ-06.07.01-OSED-CATC.0007	<Full>
<ALLOCATED_TO>	<Functional block>	Conformance Monitoring	N/A
<APPLIES TO>	<Operational Focus Area>	OFA01.02.01	N/A
<ALLOCATED_TO>	<Project>	12.03.02	N/A

[REQ]

Identifier	REQ-12.03.02-TS-2005.0080
Requirement	The SSN server shall trigger an alert when an aircraft is cleared to line up and another aircraft is cleared to land, and the planned runway entry point for the aircraft receiving the Line-Up clearance is in front of the aircraft receiving the landing clearance on the same runway.
Title	"Line-Up vs. Land" at same threshold
Status	<Validated>
Rationale	If an aircraft is cleared to land, the SSN server should detect if this clearance can create a risk of collision between aircraft.
Category	<Functional>
Validation Method	
Verification Method	<Test>

[REQ Trace]

Relationship	Linked Element Type	Identifier	Compliance
<SATISFIES>	<Enabler>	AERODROME-ATC-06	<Full>
<SATISFIES>	<ATMS Requirement>	REQ-06.07.01-OSED-CATC.0008	<Full>
<ALLOCATED_TO>	<Functional block>	Conformance Monitoring	N/A
<APPLIES TO>	<Operational Focus Area>	OFA01.02.01	N/A
<ALLOCATED_TO>	<Project>	12.03.02	N/A

[REQ]

Identifier	REQ-12.03.02-TS-2005.0090
Requirement	The SSN server shall trigger an alert when an aircraft is cleared to line up and another aircraft is cleared to land at the opposite threshold of same runway.
Title	"Line-Up vs. Land" opposite thresholds
Status	<Validated>
Rationale	If an aircraft is cleared to land, the SSN server should detect if this clearance can create a risk of collision between aircraft.
Category	<Functional>
Validation Method	
Verification Method	<Test>

founding members



Avenue de Cortenbergh 100 | B -1000 Bruxelles
www.sesarju.eu

[REQ Trace]

Relationship	Linked Element Type	Identifier	Compliance
<SATISFIES>	<Enabler>	AERODROME-ATC-06	<Full>
<SATISFIES>	<ATMS Requirement>	REQ-06.07.01-OSED-CATC.0009	<Full>
<ALLOCATED_TO>	<Functional block>	Conformance Monitoring	N/A
<APPLIES_TO>	<Operational Focus Area>	OFA01.02.01	N/A
<ALLOCATED_TO>	<Project>	12.03.02	N/A

[REQ]

Identifier	REQ-12.03.02-TS-2005.0105
Requirement	The SSN server shall trigger an alert when a mobile is cleared to cross a runway and another mobile is cleared to cross the same runway and their holding points are opposite each other. Note: the alert shall not be triggered if the two mobiles are both vehicles
Title	"Cross vs. Cross" opposing holds
Status	<Validated>
Rationale	If a mobile is cleared to cross a runway, the SSN server should detect if this clearance can create a risk of collision with another mobile (at least one of the two shall be an aircraft).
Category	<Functional>
Validation Method	
Verification Method	<Test>

[REQ Trace]

Relationship	Linked Element Type	Identifier	Compliance
<SATISFIES>	<Enabler>	AERODROME-ATC-06	<Full>
<SATISFIES>	<ATMS Requirement>	REQ-06.07.01-OSED-CATC.0010	<Full>
<ALLOCATED_TO>	<Functional block>	Conformance Monitoring	N/A
<APPLIES_TO>	<Operational Focus Area>	OFA01.02.01	N/A
<ALLOCATED_TO>	<Project>	12.03.02	N/A

[REQ]

Identifier	REQ-12.03.02-TS-2005.0110
Requirement	The SSN server shall trigger an alert when a mobile is cleared to enter a runway and another mobile is cleared to cross the same runway and their holding points are opposite each other. Note: Alarm shall not trigger if the first mobile entered the runway and the second one can cross behind the first one.
Title	"Enter vs. Cross" opposing holds
Status	<Validated>
Rationale	If a mobile is cleared to enter on a runway, the SSN server should detect if this clearance can create a risk of collision with another mobile.
Category	<Functional>
Validation Method	
Verification Method	<Test>

[REQ Trace]

Relationship	Linked Element Type	Identifier	Compliance
<SATISFIES>	<Enabler>	AERODROME-ATC-06	<Full>
<SATISFIES>	<ATMS Requirement>	REQ-06.07.01-OSED-CATC.0011	<Full>
<ALLOCATED_TO>	<Functional block>	Conformance Monitoring	N/A
<APPLIES_TO>	<Operational Focus Area>	OFA01.02.01	N/A
<ALLOCATED_TO>	<Project>	12.03.02	N/A

[REQ]

Identifier	REQ-12.03.02-TS-2005.0115
Requirement	The SSN server shall stop the “Enter vs. cross” at opposite holding points alert when the mobile having received the enter clearance enters the runway and goes in front of the other aircraft.
Title	“Enter vs. cross” at opposite holding point end of conflict
Status	<Validated>
Rationale	If a mobile is cleared to enter on a runway, the SSN server should detect if this clearance can create a risk of collision with another mobile.
Category	<Functional>
Validation Method	
Verification Method	<Test>

[REQ Trace]

Relationship	Linked Element Type	Identifier	Compliance
<SATISFIES>	<Enabler>	AERODROME-ATC-06	<Full>
<SATISFIES>	<ATMS Requirement>	REQ-06.07.01-OSED-CATC.0011	<Full>
<ALLOCATED_TO>	<Functional block>	Conformance Monitoring	N/A
<APPLIES_TO>	<Operational Focus Area>	OFA01.02.01	N/A
<ALLOCATED_TO>	<Project>	12.03.02	N/A

[REQ]

Identifier	REQ-12.03.02-TS-2005.0120
Requirement	The SSN server shall trigger an alert when a mobile is cleared to enter a runway and another mobile is cleared to enter the same runway and their holding points are opposite each other.
Title	“Enter vs. Enter” opposing holds
Status	<Validated>
Rationale	If a mobile is cleared to enter on a runway, the SSN server should detect if this clearance can create a risk of collision with another mobile.
Category	<Functional>
Validation Method	
Verification Method	<Test>

[REQ Trace]

Relationship	Linked Element Type	Identifier	Compliance
<SATISFIES>	<Enabler>	AERODROME-ATC-06	<Full>
<SATISFIES>	<ATMS Requirement>	REQ-06.07.01-OSED-CATC.0012	<Full>
<ALLOCATED_TO>	<Functional block>	Conformance Monitoring	N/A
<APPLIES_TO>	<Operational Focus Area>	OFA01.02.01	N/A
<ALLOCATED_TO>	<Project>	12.03.02	N/A

[REQ]

Identifier	REQ-12.03.02-TS-2005.0135
Requirement	The SSN server shall trigger an alert when a mobile is cleared to cross a runway and another aircraft is cleared to take-off on the same runway and it is behind of the planned entry point for the crossing mobile.
Title	“Cross vs. Take-off” same runway
Status	<Validated>
Rationale	If a mobile is cleared to cross on a runway, the SSN server should detect if this clearance can create a risk of collision between aircraft.
Category	<Functional>
Validation Method	

Verification Method	<Test>
---------------------	--------

[REQ Trace]

Relationship	Linked Element Type	Identifier	Compliance
<SATISFIES>	<Enabler>	AERODROME-ATC-06	<Full>
<SATISFIES>	<ATMS Requirement>	REQ-06.07.01-OSED-CATC.0013	<Full>
<ALLOCATED_TO>	<Functional block>	Conformance Monitoring	N/A
<APPLIES_TO>	<Operational Focus Area>	OFA01.02.01	N/A
<ALLOCATED_TO>	<Project>	12.03.02	N/A

[REQ]

Identifier	REQ-12.03.02-TS-2005.0145
Requirement	The SSN server shall trigger an alert when a mobile is cleared to enter a runway and another aircraft is cleared for take-off on the same runway behind the planned entry point for the entering mobile.
Title	"Enter vs. Take-off" on same runway
Status	<Validated>
Rationale	If a mobile is cleared to enter on a runway, the SSN server should detect if this clearance can create a risk of collision with an aircraft.
Category	<Functional>
Validation Method	
Verification Method	<Test>

[REQ Trace]

Relationship	Linked Element Type	Identifier	Compliance
<SATISFIES>	<Enabler>	AERODROME-ATC-06	<Full>
<SATISFIES>	<ATMS Requirement>	REQ-06.07.01-OSED-CATC.0014	<Full>
<ALLOCATED_TO>	<Functional block>	Conformance Monitoring	N/A
<APPLIES_TO>	<Operational Focus Area>	OFA01.02.01	N/A
<ALLOCATED_TO>	<Project>	12.03.02	N/A

[REQ]

Identifier	REQ-12.03.02-TS-2005.0155
Requirement	The SSN server shall trigger an alert when a mobile is cleared to cross and another aircraft is cleared to land and it has not landed yet or has landed and its speed is greater than a configurable threshold and the distance between the two mobiles is less than a configurable threshold.
Title	"Cross vs. Land" on same runway
Status	<Validated>
Rationale	If a mobile is cleared to cross on a runway, the SSN server should detect if this clearance can create a risk of collision with an aircraft.
Category	<Functional>
Validation Method	
Verification Method	<Test>

[REQ Trace]

Relationship	Linked Element Type	Identifier	Compliance
<SATISFIES>	<Enabler>	AERODROME-ATC-06	<Full>
<SATISFIES>	<ATMS Requirement>	REQ-06.07.01-OSED-CATC.0015	<Full>
<ALLOCATED_TO>	<Functional block>	Conformance Monitoring	N/A
<APPLIES_TO>	<Operational Focus Area>	OFA01.02.01	N/A
<ALLOCATED_TO>	<Project>	12.03.02	N/A

[REQ]

Identifier	REQ-12.03.02-TS-2005.0165
Requirement	The SSN server shall trigger and alert when a mobile is cleared to enter an another aircraft is cleared to land and it has not landed yet or has landed and its speed is greater than a configurable threshold and the distance between the two mobiles is less than a configurable threshold
Title	"Enter vs. Land" on same runway
Status	<Validated>
Rationale	If a mobile is cleared to enter on a runway, the SSN server should detect if this clearance can create a risk of collision with an aircraft.
Category	<Functional>
Validation Method	
Verification Method	<Test>

[REQ Trace]

Relationship	Linked Element Type	Identifier	Compliance
<SATISFIES>	<Enabler>	AERODROME-ATC-06	<Full>
<SATISFIES>	<ATMS Requirement>	REQ-06.07.01-OSED-CATC.0016	<Full>
<ALLOCATED_TO>	<Functional block>	Conformance Monitoring	N/A
<APPLIES_TO>	<Operational Focus Area>	OFA01.02.01	N/A
<ALLOCATED_TO>	<Project>	12.03.02	N/A

[REQ]

Identifier	REQ-12.03.02-TS-2005.0170
Requirement	The SSN server shall trigger an alert when two aircraft are cleared to take off on the same runway, and the planned runway entry point for the second aircraft (or its position if it is already on the runway) is in front of the first aircraft.
Title	"Take –off vs. Take-off" same runway
Status	<Validated>
Rationale	If an aircraft is cleared to take off on a runway, the SSN server should detect if this clearance can create a risk of collision with an aircraft.
Category	<Functional>
Validation Method	
Verification Method	<Test>

[REQ Trace]

Relationship	Linked Element Type	Identifier	Compliance
<SATISFIES>	<Enabler>	AERODROME-ATC-06	<Full>
<SATISFIES>	<ATMS Requirement>	REQ-06.07.01-OSED-CATC.0017	<Full>
<ALLOCATED_TO>	<Functional block>	Conformance Monitoring	N/A
<APPLIES_TO>	<Operational Focus Area>	OFA01.02.01	N/A
<ALLOCATED_TO>	<Project>	12.03.02	N/A

[REQ]

Identifier	REQ-12.03.02-TS-2005.0180
Requirement	The SSN server shall trigger an alert when two aircraft are cleared to take-off on converging runways and their trajectories are converging.
Title	"Take-off vs. Take-off" Converging runways and converging trajectories
Status	<In Progress>
Rationale	If an aircraft is cleared to take-off on a runway, the SSN server should detect if this clearance can create a risk of collision between aircraft. The requirement is considered as "in progress" because it was not subject of any validation, and the related OSED requirement is still "in progress".
Category	<Functional>

Validation Method	
Verification Method	<Test>

[REQ Trace]

Relationship	Linked Element Type	Identifier	Compliance
<SATISFIES>	<Enabler>	AERODROME-ATC-06	<Full>
<SATISFIES>	<ATMS Requirement>	REQ-06.07.01-OSED-CATC.0018	<Full>
<ALLOCATED_TO>	<Functional block>	Conformance Monitoring	N/A
<APPLIES_TO>	<Operational Focus Area>	OFA01.02.01	N/A
<ALLOCATED_TO>	<Project>	12.03.02	N/A

[REQ]

Identifier	REQ-12.03.02-TS-2005.0190
Requirement	The SSN server shall trigger an alert when two aircraft are cleared to take-off on intersecting runways and their trajectories are converging.
Title	"Take-off vs. Take-off" Intersecting runways and converging trajectories
Status	<Validated>
Rationale	If an aircraft is cleared to take-off on a runway, the SSN server should detect if this clearance can create a risk of collision between aircraft.
Category	<Functional>
Validation Method	
Verification Method	<Test>

[REQ Trace]

Relationship	Linked Element Type	Identifier	Compliance
<SATISFIES>	<Enabler>	AERODROME-ATC-06	<Full>
<SATISFIES>	<ATMS Requirement>	REQ-06.07.01-OSED-CATC.0019	<Full>
<ALLOCATED_TO>	<Functional block>	Conformance Monitoring	N/A
<APPLIES_TO>	<Operational Focus Area>	OFA01.02.01	N/A
<ALLOCATED_TO>	<Project>	12.03.02	N/A

[REQ]

Identifier	REQ-12.03.02-TS-2005.0200
Requirement	The SSN server shall trigger an alert when an aircraft is cleared to take-off on a runway and another aircraft is cleared to take-off on the same runway but on opposite thresholds.
Title	"Take-off vs. Take-off" opposite thresholds
Status	<Validated>
Rationale	If an aircraft is cleared to take-off on a runway, the SSN server should detect if this clearance can create a risk of collision between aircraft.
Category	<Functional>
Validation Method	
Verification Method	<Test>

[REQ Trace]

Relationship	Linked Element Type	Identifier	Compliance
<SATISFIES>	<Enabler>	AERODROME-ATC-06	<Full>
<SATISFIES>	<ATMS Requirement>	REQ-06.07.01-OSED-CATC.0020	<Full>
<ALLOCATED_TO>	<Functional block>	Conformance Monitoring	N/A
<APPLIES_TO>	<Operational Focus Area>	OFA01.02.01	N/A
<ALLOCATED_TO>	<Project>	12.03.02	N/A

[REQ]

founding members



Avenue de Cortenbergh 100 | B -1000 Bruxelles
www.sesarju.eu

Identifier	REQ-12.03.02-TS-2005.0212
Requirement	The SSN server shall trigger an alert when an aircraft is cleared for take-off and another aircraft is cleared to land on the same runway.
Title	"Land vs. Take-off" on same runway
Status	<Validated>
Rationale	If an aircraft is cleared to land on a runway, the SSN server should detect if this clearance can create a risk of collision between aircraft.
Category	<Functional>
Validation Method	
Verification Method	<Test>

[REQ Trace]

Relationship	Linked Element Type	Identifier	Compliance
<SATISFIES>	<Enabler>	AERODROME-ATC-06	<Full>
<SATISFIES>	<ATMS Requirement>	REQ-06.07.01-OSED-CATC.0021	<Full>
<ALLOCATED_TO>	<Functional block>	Conformance Monitoring	N/A
<APPLIES_TO>	<Operational Focus Area>	OFA01.02.01	N/A
<ALLOCATED_TO>	<Project>	12.03.02	N/A

[REQ]

Identifier	REQ-12.03.02-TS-2005.0215
Requirement	The SSN server shall stop "Take-off vs Land" on same runway alert when the aircraft taking off has reached a configurable position and its speed is greater than a configurable threshold.
Title	"Land vs. Take-off" on same runway end of conflict
Status	<Validated>
Rationale	If an aircraft is cleared to land on a runway, the SSN server should detect if this clearance can create a risk of collision between aircraft.
Category	<Functional>
Validation Method	
Verification Method	<Test>

[REQ Trace]

Relationship	Linked Element Type	Identifier	Compliance
<SATISFIES>	<Enabler>	AERODROME-ATC-06	<Full>
<SATISFIES>	<ATMS Requirement>	REQ-06.07.01-OSED-CATC.0021	<Full>
<SATISFIES>	<ATMS Requirement>	REQ-06.07.01-OSED-CATC.0056	<Full>
<ALLOCATED_TO>	<Functional block>	Conformance Monitoring	N/A
<APPLIES_TO>	<Operational Focus Area>	OFA01.02.01	N/A
<ALLOCATED_TO>	<Project>	12.03.02	N/A

[REQ]

Identifier	REQ-12.03.02-TS-2005.0220
Requirement	The SSN server shall trigger an alert when an aircraft is cleared to take-off and another aircraft is cleared to land on the same runway at the opposite threshold.
Title	"Take-off vs. Land" at opposite thresholds
Status	<Validated>
Rationale	If an aircraft is cleared to take-off on a runway, the SSN server should detect if this clearance can create a risk of collision between aircraft.
Category	<Functional>
Validation Method	
Verification Method	<Test>

[REQ Trace]

founding members



Avenue de Cortenbergh 100 | B -1000 Bruxelles
www.sesarju.eu

Relationship	Linked Element Type	Identifier	Compliance
<SATISFIES>	<Enabler>	AERODROME-ATC-06	<Full>
<SATISFIES>	<ATMS Requirement>	REQ-06.07.01-OSED-CATC.0023	<Full>
<ALLOCATED_TO>	<Functional block>	Conformance Monitoring	N/A
<APPLIES_TO>	<Operational Focus Area>	OFA01.02.01	N/A
<ALLOCATED_TO>	<Project>	12.03.02	N/A

[REQ]

Identifier	REQ-12.03.02-TS-2005.0232
Requirement	The SSN server shall trigger an alert when an aircraft is cleared for take-off on a runway and another aircraft is cleared to land on an intersecting runway and their ground trajectories are converging.
Title	"Take-off vs. Land" on intersecting runways
Status	<Validated>
Rationale	If an aircraft is cleared to take-off on a runway, the SSN server should detect if this clearance can create a risk of collision between aircraft.
Category	<Functional>
Validation Method	
Verification Method	<Test>

[REQ Trace]

Relationship	Linked Element Type	Identifier	Compliance
<SATISFIES>	<Enabler>	AERODROME-ATC-06	<Full>
<SATISFIES>	<ATMS Requirement>	REQ-06.07.01-OSED-CATC.0022	<Full>
<SATISFIES>	<ATMS Requirement>	REQ-06.07.01-OSED-CATC.0057	<Full>
<ALLOCATED_TO>	<Functional block>	Conformance Monitoring	N/A
<APPLIES_TO>	<Operational Focus Area>	OFA01.02.01	N/A
<ALLOCATED_TO>	<Project>	12.03.02	N/A

[REQ]

Identifier	REQ-12.03.02-TS-2005.0235
Requirement	The SSN server shall stop "Take-off vs Land" on intersecting runway when the aircraft having received the clearance first has reached a configurable position and its speed is greater than a configurable threshold.
Title	"Take-off vs. Land" on intersecting runways
Status	<Validated>
Rationale	If an aircraft is cleared to take-off on a runway, the SSN server should detect if this clearance can create a risk of collision between aircraft.
Category	<Functional>
Validation Method	
Verification Method	<Test>

[REQ Trace]

Relationship	Linked Element Type	Identifier	Compliance
<SATISFIES>	<Enabler>	AERODROME-ATC-06	<Full>
<SATISFIES>	<ATMS Requirement>	REQ-06.07.01-OSED-CATC.0022	<Full>
<ALLOCATED_TO>	<Functional block>	Conformance Monitoring	N/A
<APPLIES_TO>	<Operational Focus Area>	OFA01.02.01	N/A
<ALLOCATED_TO>	<Project>	12.03.02	N/A

[REQ]

Identifier	REQ-12.03.02-TS-2005.0242
Requirement	The SSN server shall trigger an alert when an aircraft is cleared for take-off

	and another aircraft is cleared to land on a converging runway, with the air trajectories of the two aircrafts are converging and the landing aircraft has started the go around procedure.
Title	"Take-off vs. land" on converging runways
Status	<Validated>
Rationale	If an aircraft is cleared to take-off on a runway, the SSN server should detect if this clearance can create a risk of collision between aircraft.
Category	<Functional>
Validation Method	
Verification Method	<Test>

[REQ Trace]

Relationship	Linked Element Type	Identifier	Compliance
<SATISFIES>	<Enabler>	AERODROME-ATC-06	<Full>
<SATISFIES>	<ATMS Requirement>	REQ-06.07.01-OSED-CATC.0055	<Full>
<ALLOCATED TO>	<Functional block>	Conformance Monitoring	N/A
<APPLIES TO>	<Operational Focus Area>	OFA01.02.01	N/A
<ALLOCATED_TO>	<Project>	12.03.02	N/A

[REQ]

Identifier	REQ-12.03.02-TS-2005.0245
Requirement	The SSN server shall stop "Take-off vs Land" on converging runways when the "taking off" aircraft has reached a configurable position and its speed is greater than a configurable threshold.
Title	"Take-off vs. land" on converging runways end of conflict
Status	<Validated>
Rationale	If an aircraft is cleared to take-off on a runway, the SSN server should detect if this clearance can create a risk of collision between aircraft.
Category	<Functional>
Validation Method	
Verification Method	<Test>

[REQ Trace]

Relationship	Linked Element Type	Identifier	Compliance
<SATISFIES>	<Enabler>	AERODROME-ATC-06	<Full>
<SATISFIES>	<ATMS Requirement>	REQ-06.07.01-OSED-CATC.0055	<Full>
<SATISFIES>	<ATMS Requirement>	REQ-06.07.01-OSED-CATC.0058	<Full>
<ALLOCATED TO>	<Functional block>	Conformance Monitoring	N/A
<APPLIES_TO>	<Operational Focus Area>	OFA01.02.01	N/A
<ALLOCATED_TO>	<Project>	12.03.02	N/A

[REQ]

Identifier	REQ-12.03.02-TS-2005.0255
Requirement	The SSN server shall trigger an alert when an aircraft is cleared to land and another aircraft is cleared to take-off on a different but closely spaced parallel runway not independent.
Title	"Take-off vs. Land" on closely spaced runways
Status	<In Progress>
Rationale	If an aircraft is cleared to take-off on a runway, the SSN server should detect if this clearance can create a risk of collision between aircraft. The requirement is considered as "in progress" because it was not subject of any validation, and the related OSED requirement is still "in progress".
Category	<Functional>
Validation Method	
Verification Method	<Test>

[REQ Trace]

Relationship	Linked Element Type	Identifier	Compliance
<SATISFIES>	<Enabler>	AERODROME-ATC-06	<Full>
<SATISFIES>	<ATMS Requirement>	REQ-06.07.01-OSED-CATC.0059	<Full>
<ALLOCATED_TO>	<Functional block>	Conformance Monitoring	N/A
<APPLIES_TO>	<Operational Focus Area>	OFA01.02.01	N/A
<ALLOCATED_TO>	<Project>	12.03.02	N/A

[REQ]

Identifier	REQ-12.03.02-TS-2005.0260
Requirement	The SSN server shall trigger an alert when two aircraft are cleared to land on the same runway.
Title	"Land vs. Land" same runway
Status	<Validated>
Rationale	If an aircraft is cleared to land on a runway, the SSN server should detect if this clearance can create a risk of collision between aircraft. The requirement is considered as "validated" but this conflict is not applicable on all the airports(some airports accept to have several aircraft cleared to land on the same runway)
Category	<Functional>
Validation Method	
Verification Method	<Test>

[REQ Trace]

Relationship	Linked Element Type	Identifier	Compliance
<SATISFIES>	<Enabler>	AERODROME-ATC-06	<Full>
<SATISFIES>	<ATMS Requirement>	REQ-06.07.01-OSED-CATC.0024	<Full>
<ALLOCATED_TO>	<Functional block>	Conformance Monitoring	N/A
<APPLIES_TO>	<Operational Focus Area>	OFA01.02.01	N/A
<ALLOCATED_TO>	<Project>	12.03.02	N/A

[REQ]

Identifier	REQ-12.03.02-TS-2005.0272
Requirement	The SSN server shall trigger an alert when an aircraft is cleared to land and another aircraft is cleared to land on an intersecting runway and the two trajectories on the ground are converging.
Title	"Land vs. land" on intersecting runway
Status	<Validated>
Rationale	If an aircraft is cleared to land on a runway, the SSN server should detect if this clearance can create a risk of collision between aircraft.
Category	<Functional>
Validation Method	
Verification Method	<Test>

[REQ Trace]

Relationship	Linked Element Type	Identifier	Compliance
<SATISFIES>	<Enabler>	AERODROME-ATC-06	<Full>
<SATISFIES>	<ATMS Requirement>	REQ-06.07.01-OSED-CATC.0025	<Full>
<ALLOCATED_TO>	<Functional block>	Conformance Monitoring	N/A
<APPLIES_TO>	<Operational Focus Area>	OFA01.02.01	N/A
<ALLOCATED_TO>	<Project>	12.03.02	N/A

[REQ]

Identifier	REQ-12.03.02-TS-2005.0275
Requirement	The SSN server shall trigger an alert when an aircraft is cleared to land and another aircraft is cleared to land on a converging runway and the two air trajectories are converging each other in case of go around.
Title	"Land vs. land" on converging runway
Status	<In Progress>
Rationale	If an aircraft is cleared to land on a runway, the SSN server should detect if this clearance can create a risk of collision between aircraft. The requirement is considered as "in progress" because it was not subject of any validation, and the related OSED is still considered "in progress".
Category	<Functional>
Validation Method	
Verification Method	<Test>

[REQ Trace]

Relationship	Linked Element Type	Identifier	Compliance
<SATISFIES>	<Enabler>	AERODROME-ATC-06	<Full>
<SATISFIES>	<ATMS Requirement>	REQ-06.07.01-OSED-CATC.0060	<Full>
<ALLOCATED_TO>	<Functional block>	Conformance Monitoring	N/A
<APPLIES_TO>	<Operational Focus Area>	OFA01.02.01	N/A
<ALLOCATED_TO>	<Project>	12.03.02	N/A

[REQ]

Identifier	REQ-12.03.02-TS-2005.0280
Requirement	The SSN server shall trigger an alert when two aircraft are cleared to land on the same runway at opposite thresholds.
Title	"Land versus Land" opposite threshold
Status	<Validated>
Rationale	If an aircraft is cleared to land on a runway, the SSN server should detect if this clearance can create a risk of collision between aircraft.
Category	<Functional>
Validation Method	
Verification Method	<Test>

[REQ Trace]

Relationship	Linked Element Type	Identifier	Compliance
<SATISFIES>	<Enabler>	AERODROME-ATC-06	<Full>
<SATISFIES>	<ATMS Requirement>	REQ-06.07.01-OSED-CATC.0061	<Full>
<ALLOCATED_TO>	<Functional block>	Conformance Monitoring	N/A
<APPLIES_TO>	<Operational Focus Area>	OFA01.02.01	N/A
<ALLOCATED_TO>	<Project>	12.03.02	N/A

3.2 Adaptability

Adaptability requirements are stated within the functional requirements in section 3.1.

They are REQ-12.03.02-TS-2001.0090, REQ-12.03.02-TS-2003.0020, REQ-12.03.02-TS-2003.0040 and all the functional requirements with specified a configurable threshold have a part of adaptability.

3.3 Performance Characteristics

The requirements in this section are the only performance requirements available at the moment from P06.07.01. Since they can only be verified by extensive long-term testing of a real implementation in a live aerodrome environment, those requirements were neither verified nor validated.

founding members



Avenue de Cortenbergh 100 | B -1000 Bruxelles
www.sesarju.eu

[REQ]

Identifier	REQ-12.03.02-TS-2007.0010
Requirement	The SSN should detect Runway Incursion conflicts with a probability of false alert less than 10E-3 per movement.
Title	PfA of Runway Incursions
Status	<In Progress>
Rationale	This requirement comes from previous study and it is considered as baseline. The requirement has considered as "in progress" because it cannot be validated in a 1-2 weeks of exercise, but in a long time testing.
Category	<Performance>
Validation Method	
Verification Method	<Test>

[REQ Trace]

Relationship	Linked Element Type	Identifier	Compliance
<SATISFIES>	<Enabler>	AERODROME-ATC-03	<Full>
<ALLOCATED_TO>	<Functional block>	Aerodrome Safety Nets	N/A
<APPLIES_TO>	<Operational Focus Area>	OFA01.02.01	N/A
<ALLOCATED_TO>	<Project>	12.03.02	N/A

[REQ]

Identifier	REQ-12.03.02-TS-2007.0020
Requirement	The SSN should detect Conflicting ATC Clearances with a probability of false alert less than 10E-4 per movement.
Title	PfA of Conflicting ATC Clearances
Status	<In Progress>
Rationale	The PfA is defined to avoid hazardous situations. The requirement has considered as "in progress" because it cannot be validated in a 1-2 weeks of exercise, but in a long time testing.
Category	<Performance>
Validation Method	
Verification Method	<Test>

[REQ Trace]

Relationship	Linked Element Type	Identifier	Compliance
<SATISFIES>	<Enabler>	AERODROME-ATC-06	<Full>
<SATISFIES>	<ATMS Requirement>	REQ-06.07.01-SPR-CATC.0030	<Full>
<SATISFIES>	<ATMS Requirement>	REQ-06.07.01-SPR-CATC.0031	<Full>
<SATISFIES>	<ATMS Requirement>	REQ-06.07.01-SPR-CATC.0032	<Full>
<SATISFIES>	<ATMS Requirement>	REQ-06.07.01-SPR-CATC.0039	<Full>
<SATISFIES>	<ATMS Requirement>	REQ-06.07.01-SPR-CATC.0040	<Full>
<SATISFIES>	<ATMS Requirement>	REQ-06.07.01-SPR-CATC.0041	<Full>
<SATISFIES>	<ATMS Requirement>	REQ-06.07.01-SPR-CATC.0042	<Full>
<ALLOCATED_TO>	<Functional block>	Conformance Monitoring	N/A
<APPLIES TO>	<Operational Focus Area>	OFA01.02.01	N/A
<ALLOCATED_TO>	<Project>	12.03.02	N/A

[REQ]

Identifier	REQ-12.03.02-TS-2007.0025
Requirement	The SSN should detect Conformance Monitoring with a probability of false alert less than 5x10E-5 per movement.
Title	PfA of Conformance Monitoring
Status	<In Progress>
Rationale	The PfA is defined to avoid hazardous situations. The requirement has considered as "in progress" because it cannot be validated in a 1-2 weeks of

	exercise, but in a long time testing.
Category	<Performance>
Validation Method	
Verification Method	<Test>

[REQ Trace]

Relationship	Linked Element Type	Identifier	Compliance
<SATISFIES>	<Enabler>	AERODROME-ATC-07	<Full>
<SATISFIES>	<ATMS Requirement>	REQ-06.07.01-SPR-CMAC.0069	<Full>
<SATISFIES>	<ATMS Requirement>	REQ-06.07.01-SPR-CMAC.0070	<Full>
<ALLOCATED TO>	<Functional block>	Conformance Monitoring	N/A
<APPLIES TO>	<Operational Focus Area>	OFA01.02.01	N/A
<ALLOCATED TO>	<Project>	12.03.02	N/A

[REQ]

Identifier	REQ-12.03.02-TS-2007.0035
Requirement	The SSN server shall detect a Conflicting ATC Clearances situation with a probability of detection of 99,9% per movement.
Title	PD of Conflicting ATC Clearances
Status	<In Progress>
Rationale	Almost all the conflicts have to be detected to avoid hazardous situations. The requirement has considered as "in progress" because it cannot be validated in a 1-2 weeks of exercise, but in a long time testing.
Category	<Performance>
Validation Method	
Verification Method	<Test>

[REQ Trace]

Relationship	Linked Element Type	Identifier	Compliance
<SATISFIES>	<Enabler>	AERODROME-ATC-06	<Full>
<SATISFIES>	<ATMS Requirement>	REQ-06.07.01-SPR-CATC.0019	<Full>
<ALLOCATED TO>	<Functional block>	Conformance Monitoring	N/A
<APPLIES TO>	<Operational Focus Area>	OFA01.02.01	N/A
<ALLOCATED TO>	<Project>	12.03.02	N/A

[REQ]

Identifier	REQ-12.03.02-TS-2007.0040
Requirement	The SSN shall provide alerts no more than 1 second after the reception of the conflicting clearances.
Title	Conflicting ATC clearances detection time
Status	<Validated>
Rationale	It is crucial that the SSN server immediately detects any conflicting ATC clearances.
Category	<Performance>
Validation Method	
Verification Method	<Test>

[REQ Trace]

Relationship	Linked Element Type	Identifier	Compliance
<SATISFIES>	<Enabler>	AERODROME-ATC-06	<Full>
<SATISFIES>	<ATMS Requirement>	REQ-06.07.01-SPR-CATC.0010	<Full>
<ALLOCATED TO>	<Functional block>	Aerodrome Safety Nets	N/A
<APPLIES TO>	<Operational Focus Area>	OFA01.02.01	N/A
<ALLOCATED TO>	<Project>	12.03.02	N/A

[REQ]

Identifier	REQ-12.03.02-TS-2007.0050
Requirement	The probability of an undetected loss of the SSN server shall not be greater than 10 ⁻⁴ per event.
Title	Detection probability of system loss
Status	<In Progress>
Rationale	To avoid hazardous situation. The requirement has considered as “in progress” because it cannot be validated in a 1-2 weeks of exercise, but in a long time testing.
Category	<Performance>
Validation Method	
Verification Method	<Test>

[REQ Trace]

Relationship	Linked Element Type	Identifier	Compliance
<SATISFIES>	<Enabler>	AERODROME-ATC-06	<Full>
<SATISFIES>	<Enabler>	AERODROME-ATC-07	<Full>
<SATISFIES>	<ATMS Requirement>	REQ-06.07.01-SPR-CMAC.0063	<Full>
<ALLOCATED_TO>	<Functional block>	Aerodrome Safety Nets	N/A
<ALLOCATED_TO>	<Functional block>	Conformance Monitoring	N/A
<APPLIES TO>	<Operational Focus Area>	OFA01.02.01	N/A
<ALLOCATED_TO>	<Project>	12.03.02	N/A

[REQ]

Identifier	REQ-12.03.02-TS-2007.0060
Requirement	The probability of a partial alert detection with missing information due to SSN server shall not be greater than 10 ⁻⁴ per event.
Title	Detection probability of system partial loss
Status	<In Progress>
Rationale	To avoid hazardous situation. The requirement has considered as “in progress” because it cannot be validated in a 1-2 weeks of exercise, but in a long time testing.
Category	<Performance>
Validation Method	
Verification Method	<Test>

[REQ Trace]

Relationship	Linked Element Type	Identifier	Compliance
<SATISFIES>	<Enabler>	AERODROME-ATC-06	<Full>
<SATISFIES>	<Enabler>	AERODROME-ATC-07	<Full>
<SATISFIES>	<ATMS Requirement>	REQ-06.07.01-SPR-CMAC.0065	<Full>
<ALLOCATED TO>	<Functional block>	Aerodrome Safety Nets	N/A
<ALLOCATED TO>	<Functional block>	Conformance Monitoring	N/A
<APPLIES TO>	<Operational Focus Area>	OFA01.02.01	N/A
<ALLOCATED_TO>	<Project>	12.03.02	N/A

[REQ]

Identifier	REQ-12.03.02-TS-2007.0070
Requirement	The probability of a partial alert detection with incorrect information due to SSN server shall not be greater than 10 ⁻⁴ per event.
Title	Detection probability of partial system incorrect information
Status	<In Progress>
Rationale	To avoid hazardous situation. The requirement has considered as “in progress” because it cannot be validated in a 1-2 weeks of exercise, but in a

	long time testing.
Category	<Performance>
Validation Method	
Verification Method	<Test>

[REQ Trace]

Relationship	Linked Element Type	Identifier	Compliance
<SATISFIES>	<Enabler>	AERODROME-ATC-06	<Full>
<SATISFIES>	<Enabler>	AERODROME-ATC-07	<Full>
<SATISFIES>	<ATMS Requirement>	REQ-06.07.01-SPR-CMAC.0067	<Full>
<ALLOCATED TO>	<Functional block>	Aerodrome Safety Nets	N/A
<ALLOCATED TO>	<Functional block>	Conformance Monitoring	N/A
<APPLIES TO>	<Operational Focus Area>	OFA01.02.01	N/A
<ALLOCATED_TO>	<Project>	12.03.02	N/A

3.4 Safety & Security

N.A.

3.5 Maintainability

N.A.

3.6 Reliability

N.A.

3.7 Functional block Internal Data Requirements

N.A.

3.8 Design and Construction Constraints

N.A.

3.9 Functional block Interface Requirements

[REQ]

Identifier	REQ-12.03.02-TS-2009.0015
Requirement	The SSN server shall receive target reports related to both aircraft and cooperative vehicles within the A-SMGCS Coverage Volume from Aerodrome Surveillance.
Title	Interface with Surveillance
Status	<Validated>
Rationale	Without target report, the SSN Server cannot perform its job.
Category	<Interface>
Validation Method	
Verification Method	<Review of Design>

[REQ Trace]

Relationship	Linked Element Type	Identifier	Compliance
<SATISFIES>	<Enabler>	AERODROME-ATC-03	<Full>
<SATISFIES>	<Enabler>	AERODROME-ATC-06	<Full>
<SATISFIES>	<Enabler>	AERODROME-ATC-07	<Full>
<SATISFIES>	<ATMS Requirement>	REQ-06.07.01-SPR-CATC.0005	<Full>
<SATISFIES>	<ATMS Requirement>	REQ-06.07.01-SPR-CATC.0006	<Full>
<SATISFIES>	<ATMS Requirement>	REQ-06.07.01-SPR-CATC.0016	<Full>

<ALLOCATED_TO>	<Functional block>	Aerodrome Safety Nets	N/A
<ALLOCATED_TO>	<Functional block>	Conformance Monitoring	N/A
<APPLIES_TO>	<Operational Focus Area>	OFA01.02.01	N/A
<ALLOCATED_TO>	<Project>	12.03.02	N/A

[REQ]

Identifier	REQ-12.03.02-TS-2009.0025
Requirement	The SSN server shall receive Airport operational data (Airport Configuration, LVP operations...) from the Operational Supervision functional block.
Title	Operational data interface
Status	<Validated>
Rationale	The SSN Server need of airport operational information to set the alerting rules.
Category	<Interface>
Validation Method	
Verification Method	<Review of Design>

[REQ Trace]

Relationship	Linked Element Type	Identifier	Compliance
<SATISFIES>	<Enabler>	AERODROME-ATC-06	<Full>
<SATISFIES>	<Enabler>	AERODROME-ATC-03	<Full>
<SATISFIES>	<Enabler>	AERODROME-ATC-07	<Full>
<SATISFIES>	<ATMS Requirement>	REQ-06.07.01-SPR-CMAC.0002	<Partial>
<SATISFIES>	<ATMS Requirement>	REQ-06.07.01-SPR-CMAC.0040	<Partial>
<ALLOCATED_TO>	<Functional block>	Aerodrome Safety Nets	N/A
<ALLOCATED_TO>	<Functional block>	Conformance Monitoring	N/A
<APPLIES_TO>	<Operational Focus Area>	OFA01.02.01	N/A
<ALLOCATED_TO>	<Project>	12.03.02	N/A

[REQ]

Identifier	REQ-12.03.02-TS-2009.0030
Requirement	The SSN server shall continuously transmit a regular, up-to-date status report to Technical Supervision functional block.
Title	Interface with Technical Supervision 1
Status	<In Progress>
Rationale	Technical Supervision needs of system status of SSN Server, as well as other Airport systems, to fully monitor Aerodrome ATC system. This requirement is considered as "in progress" because the interface needs to be better detailed: how often is the check, what information, the impact of surveillance, etc.
Category	<Interface>
Validation Method	
Verification Method	<Review of Design>

[REQ Trace]

Relationship	Linked Element Type	Identifier	Compliance
<SATISFIES>	<Enabler>	AERODROME-ATC-06	<Full>
<SATISFIES>	<Enabler>	AERODROME-ATC-03	<Full>
<SATISFIES>	<Enabler>	AERODROME-ATC-07	<Full>
<SATISFIES>	<ATMS Requirement>	REQ-06.07.01-SPR-CMAC.0007	<Partial>
<SATISFIES>	<ATMS Requirement>	REQ-06.07.01-SPR-CMAC.0008	<Partial>
<ALLOCATED_TO>	<Functional block>	Aerodrome Safety Nets	N/A
<ALLOCATED_TO>	<Functional block>	Conformance Monitoring	N/A
<APPLIES_TO>	<Operational Focus Area>	OFA01.02.01	N/A
<ALLOCATED_TO>	<Project>	12.03.02	N/A

[REQ]

Identifier	REQ-12.03.02-TS-2009.0035
Requirement	The SSN server shall be able to receive technical commands (Start, Stop...) from Technical Supervision functional block.
Title	Interface with Technical Supervision 2
Status	<In Progress>
Rationale	The SSN Server receives technical commands from Technical Supervision. This requirement is considered as "in progress" because it was not subject of any validation, being a function not operationally relevant.
Category	<Interface>
Validation Method	
Verification Method	<Review of Design>

[REQ Trace]

Relationship	Linked Element Type	Identifier	Compliance
<SATISFIES>	<Enabler>	AERODROME-ATC-06	<Full>
<SATISFIES>	<Enabler>	AERODROME-ATC-03	<Full>
<SATISFIES>	<Enabler>	AERODROME-ATC-07	<Full>
<SATISFIES>	<ATMS Requirement>	REQ-06.07.01-SPR-CMAC.0007	<Partial>
<SATISFIES>	<ATMS Requirement>	REQ-06.07.01-SPR-CMAC.0008	<Partial>
<ALLOCATED_TO>	<Functional block>	Aerodrome Safety Nets	N/A
<ALLOCATED_TO>	<Functional block>	Conformance Monitoring	N/A
<APPLIES_TO>	<Operational Focus Area>	OFA01.02.01	N/A
<ALLOCATED_TO>	<Project>	12.03.02	N/A

[REQ]

Identifier	REQ-12.03.02-TS-2009.0045
Requirement	The SSN server shall receive the flight plans data, the information related to the given clearances, the assigned runways and the taxi routes from the Aerodrome Flight Data Processing functional block.
Title	Reception of flight plans and related clearances from A-FDP FB.
Status	<Validated>
Rationale	The given clearances, taxi routes and assigned runways are needed inputs for SSN server to perform its job.
Category	<Interface>
Validation Method	
Verification Method	<Review of Design>

[REQ Trace]

Relationship	Linked Element Type	Identifier	Compliance
<SATISFIES>	<Enabler>	AERODROME-ATC-03	<Full>
<SATISFIES>	<Enabler>	AERODROME-ATC-06	<Full>
<SATISFIES>	<Enabler>	AERODROME-ATC-07	<Full>
<SATISFIES>	<ATMS Requirement>	REQ-06.07.01-SPR-CATC.0003	<Full>
<SATISFIES>	<ATMS Requirement>	REQ-06.07.01-SPR-CATC.0004	<Full>
<SATISFIES>	<ATMS Requirement>	REQ-06.07.01-SPR-CATC.0023	<Full>
<SATISFIES>	<ATMS Requirement>	REQ-06.07.01-SPR-CMAC.0004	<Full>
<SATISFIES>	<ATMS Requirement>	REQ-06.07.01-SPR-CMAC.0015	<Full>
<SATISFIES>	<ATMS Requirement>	REQ-06.07.01-SPR-CMAC.0022	<Partial>
<SATISFIES>	<ATMS Requirement>	REQ-06.07.01-SPR-CMAC.0036	<Full>
<SATISFIES>	<ATMS Requirement>	REQ-06.07.01-SPR-CMAC.0044	<Full>
<SATISFIES>	<ATMS Requirement>	REQ-06.07.01-SPR-CMAC.0053	<Full>
<SATISFIES>	<ATMS Requirement>	REQ-06.07.01-SPR-CMAC.0055	<Full>
<ALLOCATED_TO>	<Functional block>	Aerodrome Safety Nets	N/A
<ALLOCATED_TO>	<Functional block>	Conformance Monitoring	N/A
<APPLIES_TO>	<Operational Focus Area>	OFA01.02.01	N/A
<ALLOCATED_TO>	<Project>	12.03.02	N/A

[REQ]

Identifier	REQ-12.03.02-TS-2009.0055
Requirement	The SSN server shall receive the vehicle movement plans and the given clearances from Aerodrome Flight Data Processing functional block.
Title	Reception of vehicle plans and related clearances from A-FDP FB.
Status	<Validated>
Rationale	The given clearances and routes for vehicles are needed inputs for SSN server to perform its job.
Category	<Interface>
Validation Method	
Verification Method	<Review of Design>

[REQ Trace]

Relationship	Linked Element Type	Identifier	Compliance
<SATISFIES>	<Enabler>	AERODROME-ATC-03	<Full>
<SATISFIES>	<Enabler>	AERODROME-ATC-06	<Full>
<SATISFIES>	<Enabler>	AERODROME-ATC-07	<Full>
<SATISFIES>	<ATMS Requirement>	REQ-06.07.01-SPR-CATC.0014	<Full>
<SATISFIES>	<ATMS Requirement>	REQ-06.07.01-SPR-CATC.0015	<Full>
<SATISFIES>	<ATMS Requirement>	REQ-06.07.01-SPR-CATC.0023	<Full>
<SATISFIES>	<ATMS Requirement>	REQ-06.07.01-SPR-CMAC.0034	<Full>
<ALLOCATED_TO>	<Functional block>	Aerodrome Safety Nets	N/A
<ALLOCATED_TO>	<Functional block>	Conformance Monitoring	N/A
<APPLIES_TO>	<Operational Focus Area>	OFA01.02.01	N/A
<ALLOCATED_TO>	<Project>	12.03.02	N/A

[REQ]

Identifier	REQ-12.03.02-TS-2009.0065
Requirement	The SSN server shall broadcast the alert reports every x seconds (x configuration parameter) to all defined clients.
Title	Sending of alert reports
Status	<Validated>
Rationale	The alert reports are received by all interested clients for their scope.
Category	<Interface>
Validation Method	
Verification Method	<Review of Design>

[REQ Trace]

Relationship	Linked Element Type	Identifier	Compliance
<SATISFIES>	<Enabler>	AERODROME-ATC-06	<Full>
<SATISFIES>	<Enabler>	AERODROME-ATC-03	<Full>
<SATISFIES>	<Enabler>	AERODROME-ATC-07	<Full>
<SATISFIES>	<ATMS Requirement>	REQ-06.07.01-SPR-GENL.0002	<Partial>
<SATISFIES>	<ATMS Requirement>	REQ-06.07.01-SPR-CATC.0007	<Partial>
<SATISFIES>	<ATMS Requirement>	REQ-06.07.01-SPR-CATC.0017	<Partial>
<ALLOCATED_TO>	<Functional block>	Aerodrome Safety Nets	N/A
<ALLOCATED_TO>	<Functional block>	Conformance Monitoring	N/A
<APPLIES_TO>	<Operational Focus Area>	OFA01.02.01	N/A
<ALLOCATED_TO>	<Project>	12.03.02	N/A

[REQ]

Identifier	REQ-12.03.02-TS-2009.0075
Requirement	The SSN server shall receive the status and suitability of Runways and Taxiways from Runway & Taxiway Usage Management functional block.
Title	Status and Usage of Runways and Taxiways interface

Status	<Validated>
Rationale	The status of runways and taxiways on the airport are given by the "Runway and Taxiway Usage Management".
Category	<Interface>
Validation Method	
Verification Method	<Review of Design>

[REQ Trace]

Relationship	Linked Element Type	Identifier	Compliance
<SATISFIES>	<Enabler>	AERODROME-ATC-03	<Full>
<SATISFIES>	<Enabler>	AERODROME-ATC-06	<Full>
<SATISFIES>	<Enabler>	AERODROME-ATC-07	<Full>
<SATISFIES>	<ATMS Requirement>	REQ-06.07.01-SPR-CMAC.0005	<Full>
<SATISFIES>	<ATMS Requirement>	REQ-06.07.01-SPR-CMAC.0019	<Full>
<SATISFIES>	<ATMS Requirement>	REQ-06.07.01-SPR-CMAC.0043	<Full>
<ALLOCATED TO>	<Functional block>	Aerodrome Safety Nets	N/A
<ALLOCATED TO>	<Functional block>	Conformance Monitoring	N/A
<APPLIES TO>	<Operational Focus Area>	OFA01.02.01	N/A
<ALLOCATED TO>	<Project>	12.03.02	N/A

[REQ]

Identifier	REQ-12.03.02-TS-2009.0080
Requirement	The SSN server shall continuously transmit the Data for Recording (Alert reports and status reports) to the Support Functions functional block.
Title	Interface with Support Functions
Status	<In Progress>
Rationale	The SSN Server sends data for recording to the Support Functions. This requirement is considered as "in progress" because it was not subject of any validation, being a function not operationally relevant..
Category	<Interface>
Validation Method	
Verification Method	<Review of Design>

[REQ Trace]

Relationship	Linked Element Type	Identifier	Compliance
<SATISFIES>	<Enabler>	AERODROME-ATC-02	<Full>
<SATISFIES>	<Enabler>	AERODROME-ATC-03	<Full>
<SATISFIES>	<ATMS Requirement>	REQ-06.02-DOD-6200.0003	<Partial>
<ALLOCATED TO>	<Functional block>	Aerodrome Safety Nets	N/A
<ALLOCATED TO>	<Functional block>	Conformance Monitoring	N/A
<APPLIES TO>	<Operational Focus Area>	OFA01.02.01	N/A
<ALLOCATED TO>	<Project>	12.03.02	N/A

[REQ]

Identifier	REQ-12.03.02-TS-2009.0090
Requirement	The SSN server shall receive the flight status information for each flight from the Airport FDPS
Title	Flight Status input
Status	<Validated>
Rationale	The SSN Server needs of flight status from A-FDPS.
Category	<Interface>
Validation Method	
Verification Method	<Review of Design>

[REQ Trace]

Relationship	Linked Element Type	Identifier	Compliance
--------------	---------------------	------------	------------

<SATISFIES>	<Enabler>	AERODROME-ATC-06	<Full>
<SATISFIES>	<Enabler>	AERODROME-ATC-07	<Full>
<SATISFIES>	<ATMS Requirement>	REQ-06.07.01-SPR-CMAC.0003	<Partial>
<ALLOCATED_TO>	<Functional block>	Aerodrome Safety Nets	N/A
<ALLOCATED_TO>	<Functional block>	Conformance Monitoring	N/A
<APPLIES_TO>	<Operational Focus Area>	OFA01.02.01	N/A
<ALLOCATED_TO>	<Project>	12.03.02	N/A

4 Assumptions

The operational project 06.07.01 was composed of several Work Areas. Two of them correspond to functionalities in the scope of 12.03.02:

- Conformance Monitoring Alerts for Controllers
- Conflicting ATC Clearances

The other functionalities in 12.03.02's scope (Runway Incursions, Area Intrusions) were standard A-SMGCS RMCA functions and therefore not directly addressed by 06.07.01, or other SESAR projects, but they were assumed to be present in the deployment baseline. Therefore, the following documents have been used as input to specify the SSN server:

- EUROCONTROL – Functional Requirements for A-SMGCS Implementation Level 2, Ed. 2.1, 30/06/2010
- EMMA2 A-SMGCS Services, Procedures, and Operational Requirements (SPOR) "A Preliminary Concept and Framework for Validation Activities in EMMA2". 2-D111_SPOR_V1.0.doc (02/12/2008).
- EMMA2 A-SMGCS Technical Requirements – Ground. 2-D112a_ATR_GND_V1.0.pdf

All the specifications coming from these documents have been analysed. The purpose of this analysis has been a set of operational requirements in order to produce the technical specifications that belong to the scope of this project.

About the 06.07.01 available documentation ([7] and [8]), several requirements were not considered, due to reasons below (the requirements that have impact on the HMI are reported in Appendix A.

Requirement ID	Requirement Title	Reason
REQ-06.07.01-OSED-GENL.0001	Replay of Alert	The coverage of this requirement is demanded to Support Function.
REQ-06.07.01-OSED-CMAC.0025	Non conformance to ATC instruction or procedure	This operational requirement is too generic, and there are others more specific on the same item.
REQ-06.07.01-SPR-GENL.0001	Replay of Alerts	The coverage of this requirement is demanded to Support Function.
REQ-06.07.01-SPR-CATC.0011	Solving the runway conflict	This requirement is for human behaviour
REQ-06.07.01-SPR-CATC.0020	Accuracy of A-SMGCS	This requirement is for Surveillance
REQ-06.07.01-SPR-CATC.0024	Acceptation of conflicting clearances without runway conflict	This requirement is for human behaviour
REQ-06.07.01-SPR-CATC.0027	Clearance Correction	This requirement is for human behaviour
REQ-06.07.01-SPR-CATC.0028	Clearance Cancellation	This requirement is for human behaviour
REQ-06.07.01-SPR-CATC.0029	Accepting ATC clearances	This requirement is for human behaviour

REQ-06.07.01- SPR-CATC.0033	Comparison given ATC clearances provided to aircraft or vehicle	This requirement is for human behaviour
REQ-06.07.01- SPR-CATC.0036	Entering Wrong Clearance	This requirement is for human behaviour
REQ-06.07.01- SPR-CATC.0037	No Entering a clearance	This requirement is for human behaviour
REQ-06.07.01- SPR-CATC.0038	Entering a clearance too late	This requirement is for human behaviour
REQ-06.07.01- SPR-CATC.0043	Not handle/interpret alarm by accepting	This requirement is for human behaviour
REQ-06.07.01- SPR-CATC.0044	Not handle/interpret alarm by cancelling	This requirement is for human behaviour
REQ-06.07.01- SPR-CMAC.0010	Provision of training	This requirement is for human behaviour
REQ-06.07.01- SPR-CMAC.0011	Visual scan of non-conformance	This requirement is for human behaviour
REQ-06.07.01- SPR-CMAC.0014	Timely input of given taxi clearances	This requirement is for human behaviour
REQ-06.07.01- SPR-CMAC.0032	Revert to taxiway-related standard practices.	This requirement is for human behaviour
REQ-06.07.01- SPR-CMAC.0032	Timely input of given runway clearances	This requirement is for human behaviour
REQ-06.07.01- SPR-CMAC.0061	Revert to runway-related standard practices	This requirement is for human behaviour
REQ-06.07.01- SPR-CMAC.0062	Corrupted/loss data probability	This requirement does not deal with SSN, but other systems
REQ-06.07.01- SPR-CMAC.0064	Detection probability of loss of data input.	This requirement does not deal with SSN, but other systems
REQ-06.07.01- SPR-CMAC.0066	Detection probability of partial loss of data input	This requirement does not deal with SSN, but other systems
REQ-06.07.01- SPR-CMAC.0068	Probability of inappropriate controller reaction	This requirement is for human behaviour

Table 2: P06.07.01 not considered requirements

5 References

- [1] Template Toolbox 03.00.00
<https://extranet.sesarju.eu/Programme%20Library/SESAR%20Template%20Toolbox.dot>
- [2] Requirements and V&V Guidelines 03.00.00
<https://extranet.sesarju.eu/Programme%20Library/Requirements%20and%20VV%20Guidelines.doc>
- [3] Templates and Toolbox User Manual 03.00.00
<https://extranet.sesarju.eu/Programme%20Library/Templates%20and%20Toolbox%20User%20Manual.doc>
- [4] EUROCONTROL ATM Lexicon
<https://extranet.eurocontrol.int/http://atmlexicon.eurocontrol.int/en/index.php/SESAR>
- [5] 12.03.02-D35 Phase3 - System specification - Report, Edition 00.01.00, 14/11/2014
- [6] 12.03.02-D51 Phase3 – Consolidated Verification Report, Edition 00.01.00, 03/06/2016
- [7] 06.07.01-D29 SPR for Conflicting ATC Clearances and Conformance Monitoring for Controllers, version 00.01.00, 17/04/2014
- [8] 06.07.01-D32 Interim (Final) OSED for Conflicting ATC Clearance and Conformance Monitoring for Controllers, version 00.00.04, 15/09/2014
- [9] 06.07.01-D07 Operational Service and Environment Definition (OSED) for RWSL, Edition 00.01.00, 19/03/2012
- [10] EUROCAE ED-87B Minimum Aviation System Performance Specification for A-SMGCS, with Amendment 1, November 2008
- [11] EUROCAE ED-87C Minimum Aviation System Performance Specification for A-SMGCS, January 2009
- [12] EUROCONTROL – Functional Requirements for A-SMGCS Implementation Level 2, Ed. 2.1, 30/06/2010
- [13] EMMA2 A-SMGCS Services, Procedures, and Operational Requirements (SPOR) “A Preliminary Concept and Framework for Validation Activities in EMMA2”. 2-D111_SPOR_V1.0.doc (02/12/2008).
- [14] EMMA2 A-SMGCS Technical Requirements – Ground. 2-D112a_ATR_GND_V1.0.pdf
- [15] 12.01.07 – D30 SESAR 1 Airport Technical Architecture Description, version 00.02.00, 17/06/2016
- [16] ICAO – Doc 9830 AN/452 – Advanced Surface Movement Guidance and Control Systems (A-SMGCS) Manual
- [17] EUROCONTROL (2009) ESARR 2 Reporting and Assessment of Safety Occurrences in ATM
- [18] WPB.01 Integrated Roadmap Dataset 15 Release Note, D83, Edition 00.01.00, 21/12/2015

5.1 Use of copyright / patent material /classified material

N.A.

Appendix A Operational Requirements for HMI

This appendix includes all the operational requirements related to HMI to be considered by project 12.05.04

Requirement ID	Requirement Title	Requirement Text
REQ-06.07.01-OSED-GENL.0002	Display of CATC, CMAC and RIMS alerts	The Tower controller shall receive CATC and CMAC alerts together with RIMS alerts
REQ-06.07.01-OSED-GENL.0003	Priority of CATC, CMAC and RIMS alerts	The Tower controller shall receive RIMS alerts on the HMI with a higher priority than CATC and CMAC alerts
REQ-06.07.01-OSED-GENL.0004	Display of multiple alerts on HMI	The Tower controller shall have a means to see multiple alerts displayed on the HMI for either one mobile or more than one mobile within his/her AOR.
REQ-06.07.01-OSED-GENL.0005	Display of alerts on the mobile/s concerned	The Tower controller shall have a means to see an alert on the HMI associated with the mobile position and identification
REQ-06.07.01-OSED-GENL.0006	Alert Window	The Tower controller / supervisor shall have the means to see all active alerts via a dedicated alert window.
REQ-06.07.01-OSED-GENL.0007	Alert on mobiles planned to enter an AOR	The Tower controller shall be able to see alerts on mobiles that are planned to enter his/her AOR. The alert may be shown as soon as it is triggered or within a certain distance or time before the AOR (local implementation rule)
REQ-06.07.01-OSED-GENL.0009	Audio Alert associated to a detected ALARM	The Tower controller shall receive an audio warning when the ATC system detects an ALARM alert. The type of audio warning and length of time it sounds for are matters of local implementation but it is recommended that the warning is different to other audio sounds in use in the Tower.
REQ-06.07.01-OSED-GENL.0010	A-SMGCS – ALARM alert colour	The Tower Runway, Ground or Apron Controller shall receive an ALARM alert on the HMI with an “ALARM colour” (recommendation Red).
REQ-06.07.01-OSED-GENL.0011	A-SMGCS – INFORMATION alert colour	The Tower Runway, Ground or Apron Controller shall receive an INFORMATION alert on the HMI with an “INFORMATION colour” (recommendation Yellow)
REQ-06.07.01-OSED-GENL.0012	De-activation of CATC and CMAC alerts	The Tower Supervisor or Tower controller shall be able to deactivate the detection (display) of CATC and CMAC alerts
REQ-06.07.01-	A-SMGCS – Suppression of	The Tower controller may have a means via the HMI to toggle between displaying or suppressing an INFORMATION alert message that is displayed on the radar/track label

OSD-GENL.0014	an INFORMATION alert	and EFS (suppression will be independent of other CWP's). (Note: When suppressed the details of the alert shall still be shown in the alert window).
REQ-06.07.01-OSD-GENL.0015	A-SMGCS – Suppression of the ALARM Buzzer	The Tower controller shall have a means via the HMI to cancel an ALARM alert audio buzzer that has been triggered. All details of the alert remain in the alert window and mobile labels until the situation has been resolved. Note: If a different ALARM is triggered after the buzzer has been turned off then the buzzer will be reactivated
REQ-06.07.01-OSD-GENL.0016	Alert on mobiles having left an AOR but still on frequency	The Tower controller shall be able to see alerts on mobiles that have left his/her AOR but are still on his/her frequency.
REQ-06.07.01-OSD-GENL.0017	Alert Window for Supervisor	The Supervisor shall have the means to see all active alerts via a dedicated alert window.
REQ-06.07.01-OSD-CATC.0026	Line-Up clearance Input	The Tower Runway Controller shall be able to input Line-Up clearance in the ATC system via the HMI.
REQ-06.07.01-OSD-CATC.0027	Conditional Line-Up clearance Input	The Tower Runway Controller shall be able to input Conditional Line-Up clearance together with the conditional aircraft in the ATC system via the HMI.
REQ-06.07.01-OSD-CATC.0028	Take-Off clearance Input	The Tower Runway Controller shall be able to input Take-Off clearance in the ATC system via the HMI.
REQ-06.07.01-OSD-CATC.0029	Land clearance Input	The Tower Runway Controller shall be able to input a Cleared to Land clearance in the ATC system via the HMI.
REQ-06.07.01-OSD-CATC.0030	Cross clearance Input	The Tower Runway Controller shall be able to input a Cross clearance in the ATC system via the HMI.
REQ-06.07.01-OSD-CATC.0031	Enter clearance Input	The Tower Runway Controller shall be able to input an Enter clearance in the ATC system via the HMI.
REQ-06.07.01-OSD-CATC.0052	Display of CATC on the Tower Runway Controller HMI	The Tower Runway Controller shall be able to see on his HMI the conflicting ATC clearances and the callsigns of mobiles involved
REQ-06.07.01-OSD-CATC.0062	Indicator for a potential CATC on the Tower Runway Controller HMI	The Tower Runway Controller shall be able to see an indicator next to a clearance button that signifies that if that specific clearance is input it will trigger a CATC alert
REQ-06.07.01-OSD-	Confirmation for a potential CATC on the Tower	The Tower Runway Controller may be asked to confirm via the HMI that if that specific clearance is input it will trigger a CATC alert

CATC.0063	Runway Controller HMI																																																																						
REQ-06.07.01-OSD-CMAC.0023	A-SMGCS – Non-Conformance Messages on the Controller HMI	For every non-conformance to ATC procedure or instruction detected by the A-SMGCS, the Tower controller shall receive an alert message indicating the mobile(s) involved and the type of non-conformance (according to local procedures).																																																																					
REQ-06.07.01-OSD-CMAC.0039	A-SMGCS – Text on controller HMI for Non Conformance Alerts in radar label	<p>The Tower controller shall have a means via the text displayed on the HMI to identify the type of non-Conformance detected by the system. The text should be clear and unambiguous and may be one of the two possibilities presented hereunder. Other options may be defined based on local implementation preferences.</p> <table border="1"> <thead> <tr> <th>Conformance Monitoring alerts</th> <th>Text 1</th> <th>Text 2</th> </tr> </thead> <tbody> <tr> <td>Route deviation alert</td> <td>ROUTE DEV</td> <td>ROUTE DEV</td> </tr> <tr> <td>No pushback approval</td> <td>NO CLEARANCE</td> <td>NO PUSH CLR</td> </tr> <tr> <td>No taxi approval</td> <td>NO CLEARANCE</td> <td>NO TAXI CLR</td> </tr> <tr> <td>Stationary (outside RPA)</td> <td>STATIONARY</td> <td>STATIONARY</td> </tr> <tr> <td>Stationary (inside RPA)</td> <td>STATIONARY</td> <td>STATIONARY RPA</td> </tr> <tr> <td>No contact</td> <td>NO CONTACT</td> <td>NO CONTACT</td> </tr> <tr> <td>No transfer</td> <td>NO TRANSFER</td> <td>TRANSFER?</td> </tr> <tr> <td>No line-up clearance</td> <td>RWY INCURSION</td> <td>NO LUP CLR</td> </tr> <tr> <td>No crossing clearance</td> <td>RWY INCURSION</td> <td>NO CROSS CLR</td> </tr> <tr> <td>No enter clearance</td> <td>RWY INCURSION</td> <td>NO ENTER CLR</td> </tr> <tr> <td>No take-off clearance</td> <td>NO CLEARANCE</td> <td>NO TOF CLR</td> </tr> <tr> <td>No landing clearance</td> <td>NO CLEARANCE</td> <td>NO LND CLR</td> </tr> <tr> <td>Landing on wrong runway</td> <td>WRONG RWY</td> <td>LND WRONG RWY? RED STOP BAR CROSSED</td> </tr> <tr> <td>Red stop bar crossed (intermediate HP)</td> <td>NO CLEARANCE</td> <td></td> </tr> <tr> <td>Red stop bar crossed (runway HP)</td> <td>RWY INCURSION</td> <td>NO LUP CLR</td> </tr> <tr> <td>Lining up on wrong runway</td> <td>WRONG RWY</td> <td>LUP WRONG RWY?</td> </tr> <tr> <td>Runway incursion</td> <td>RWY INCURSION</td> <td>RWY INCURSION</td> </tr> <tr> <td>Taxiway type</td> <td>TWY TYPE</td> <td>TWY TYPE</td> </tr> <tr> <td>Runway type</td> <td>RWY TYPE</td> <td>RWY TYPE</td> </tr> <tr> <td>Taxiway closed</td> <td>TWY CLOSED</td> <td>TWY CLOSED</td> </tr> <tr> <td>Runway closed</td> <td>RWY CLOSED</td> <td>RWY CLOSED</td> </tr> <tr> <td>High speed</td> <td>HIGH SPEED</td> <td>HIGH SPEED</td> </tr> </tbody> </table>	Conformance Monitoring alerts	Text 1	Text 2	Route deviation alert	ROUTE DEV	ROUTE DEV	No pushback approval	NO CLEARANCE	NO PUSH CLR	No taxi approval	NO CLEARANCE	NO TAXI CLR	Stationary (outside RPA)	STATIONARY	STATIONARY	Stationary (inside RPA)	STATIONARY	STATIONARY RPA	No contact	NO CONTACT	NO CONTACT	No transfer	NO TRANSFER	TRANSFER?	No line-up clearance	RWY INCURSION	NO LUP CLR	No crossing clearance	RWY INCURSION	NO CROSS CLR	No enter clearance	RWY INCURSION	NO ENTER CLR	No take-off clearance	NO CLEARANCE	NO TOF CLR	No landing clearance	NO CLEARANCE	NO LND CLR	Landing on wrong runway	WRONG RWY	LND WRONG RWY? RED STOP BAR CROSSED	Red stop bar crossed (intermediate HP)	NO CLEARANCE		Red stop bar crossed (runway HP)	RWY INCURSION	NO LUP CLR	Lining up on wrong runway	WRONG RWY	LUP WRONG RWY?	Runway incursion	RWY INCURSION	RWY INCURSION	Taxiway type	TWY TYPE	TWY TYPE	Runway type	RWY TYPE	RWY TYPE	Taxiway closed	TWY CLOSED	TWY CLOSED	Runway closed	RWY CLOSED	RWY CLOSED	High speed	HIGH SPEED	HIGH SPEED
Conformance Monitoring alerts	Text 1	Text 2																																																																					
Route deviation alert	ROUTE DEV	ROUTE DEV																																																																					
No pushback approval	NO CLEARANCE	NO PUSH CLR																																																																					
No taxi approval	NO CLEARANCE	NO TAXI CLR																																																																					
Stationary (outside RPA)	STATIONARY	STATIONARY																																																																					
Stationary (inside RPA)	STATIONARY	STATIONARY RPA																																																																					
No contact	NO CONTACT	NO CONTACT																																																																					
No transfer	NO TRANSFER	TRANSFER?																																																																					
No line-up clearance	RWY INCURSION	NO LUP CLR																																																																					
No crossing clearance	RWY INCURSION	NO CROSS CLR																																																																					
No enter clearance	RWY INCURSION	NO ENTER CLR																																																																					
No take-off clearance	NO CLEARANCE	NO TOF CLR																																																																					
No landing clearance	NO CLEARANCE	NO LND CLR																																																																					
Landing on wrong runway	WRONG RWY	LND WRONG RWY? RED STOP BAR CROSSED																																																																					
Red stop bar crossed (intermediate HP)	NO CLEARANCE																																																																						
Red stop bar crossed (runway HP)	RWY INCURSION	NO LUP CLR																																																																					
Lining up on wrong runway	WRONG RWY	LUP WRONG RWY?																																																																					
Runway incursion	RWY INCURSION	RWY INCURSION																																																																					
Taxiway type	TWY TYPE	TWY TYPE																																																																					
Runway type	RWY TYPE	RWY TYPE																																																																					
Taxiway closed	TWY CLOSED	TWY CLOSED																																																																					
Runway closed	RWY CLOSED	RWY CLOSED																																																																					
High speed	HIGH SPEED	HIGH SPEED																																																																					
REQ-06.07.01-OSD-CMAC.0040	A-SMGCS – Priorities of Alert text on controller HMI for Non Conformance Alerts in radar label	<p>When several alerts are detected for the same mobile, the Tower controller shall be presented, in the mobile radar label on the HMI, with the text of the alert having the highest priority. The priorities may be defined as presented hereunder. Other options may be defined based on local implementation preferences.</p> <p>Priority 1 is higher than priority 2 etc.;</p>																																																																					

			Proposed Priority of Text in radar label
		Alerting situations	
		RIMS ALARM	1
		RIMS INFORMATION	2
		No take-off clearance	3
		Runway incursion	4
		Runway closed Alarm	5
		Runway or taxiway type (runway type)	6
		Stationary (inside RPA)	7
		No landing clearance Alarm	8
		Landing on wrong runway	9
		Lining up on wrong runway	10
		Route deviation Alarm	11
		Red stop bar crossed (intermediate HP)	12
		Runway or taxiway type (taxiway type)	13
		Taxiway closed Alarm	14
		High speed Alarm	15
		Runway closed Information	16
		Runway or taxiway type (runway type) Alarm	17
		No landing clearance Information	18
		No transfer	19
		No contact	20
		Route deviation Information	21
		Runway or taxiway type (taxiway type) Information	22
		Taxiway closed Information	23
		Stationary (outside RPA)	24
		High speed Information	25
		No taxi approval	26
		No pushback approval	27
REQ-06.07.01-SPR-GENL.0003	Higher priority of RIMS alert	The ATCO must be able to recognize that RIMS alerts have a higher priority compared to CATC and CMAC alerts.	
REQ-06.07.01-SPR-GENL.0004	Display of multiple alerts	The ATC system shall be able to display alerts for either one mobile or more than one mobile.	
REQ-06.07.01-SPR-GENL.0005	Display of alerts on the mobile/s concerned	The ATCO shall have a means to see alerts on the HMI associated with the mobile position and identification.	
REQ-06.07.01-SPR-CATC.0001	Entering of Clearances Case 1	Tower Runway Controller shall input in the Electronic Flight Strip System (EFS) the clearances given to the aircraft to line up, land on, take off from, go around, hold short of, cross, taxi and backtrack on the runway	

REQ-06.07.01-SPR-CATC.0002		Tower Runway Controller shall provide to the Electronic Flight Strip System (EFS) the aircraft information relative to the assigned Runway and the holding point
REQ-06.07.01-SPR-CATC.0008	RIMS and conflicting ATC System alerts	The different alerts of the CATC system and RIMS shall be distinguishable for the Tower Runway Controller.
REQ-06.07.01-SPR-CATC.0009	Entering of Clearances Case 2	The Tower Runway Controller shall input clearances given to the aircraft/vehicles in the Electronic Flight Strip System (EFS) as soon as practicable and within less than 3 seconds.
REQ-06.07.01-SPR-CATC.0012	Entering of Clearances Case 3	The Tower Runway Controller shall input in the Electronic Flight Strip System (EFS) the clearances given to the vehicle to enter or to cross the runway
REQ-06.07.01-SPR-CATC.0013	Entering of Clearances Case 4	The Tower Runway Controller shall provide to the Electronic Flight Strip System (EFS) the vehicle information relative to the assigned Runway and the holding point.
REQ-06.07.01-SPR-CATC.0022	Information of EFS when ATC conflict was cancelled by user	When the Tower Runway Controller decides to cancel detected conflicting ATC clearances, he/she shall inform the Electronic Flight Strip System about this cancelation
REQ-06.07.01-SPR-CATC.0025	Acceptation of conflicting clearances	When a detected conflicting clearance is accepted by the Tower Runway Controller, he/she shall inform the conflicting ATC clearances System about this acceptation.
REQ-06.07.01-SPR-CATC.0026	Providing of clearances case 4	The Electronic Flight Strip System (EFS) shall provide to the Conflicting ATC Clearances System any clearance entered by the Tower Runway Controller within 0.5 second.
REQ-06.07.01-SPR-CATC.0034	Situational awareness Complete information	The Tower Runway Controller shall verify that the triggered alert provides complete information for the conflicting ATC clearances situation.
REQ-06.07.01-SPR-CMAC.0012	ATCO input of aircraft taxiway clearances	The Tower Ground Controller shall enter all clearances given to aircraft relative to their push-back, taxi-out and taxi-in in the FDP(EFS)
REQ-06.07.01-SPR-CMAC.0013	ATCO input of vehicle taxiway clearances	The Tower Ground Controller shall enter all clearances given to vehicles relative to their taxi clearances in the FDP(EFS)
REQ-06.07.01-SPR-CMAC.0031	Taxiway-related alerts compatibility with other safety nets.	The Ground ATC Conformance Monitoring System alerts and other airport safety net alerts (A-SMGCS level 2, RIMCAS) shall be compatible each other to facilitate Tower Ground Controller recognition and problem resolution. If necessary an alert priority scheme between these systems should be defined.
REQ-	ATCO input of	The Tower Runway Controller shall enter all clearances given to aircraft relative to their

06.07.01- SPR- CMAC.0033	aircraft runway clearances	line-up, take-off, landing and runway crossing in the FDP(EFS)
REQ- 06.07.01- SPR- CMAC.0034	ATCO input of vehicle runway clearances	The Tower Runway Controller shall enter all clearances given to vehicles relative to the runway crossing in the FDP(EFS)
REQ- 06.07.01- SPR- CMAC.0060	Runway-related alerts compatibility with other safety nets	The Ground ATC Conformance Monitoring System alerts and other airport safety net alerts (A-SMGCS level 2, RIMCAS, Conflicting ATC clearances,..) shall be compatible each other to facilitate Tower Runway Controller recognition and problem resolution. If necessary an alert priority scheme between these systems should be defined.

-END OF DOCUMENT-

founding members



Avenue de Cortenbergh 100 | B -1000 Bruxelles
www.sesarju.eu